

10. Schematic Diagram

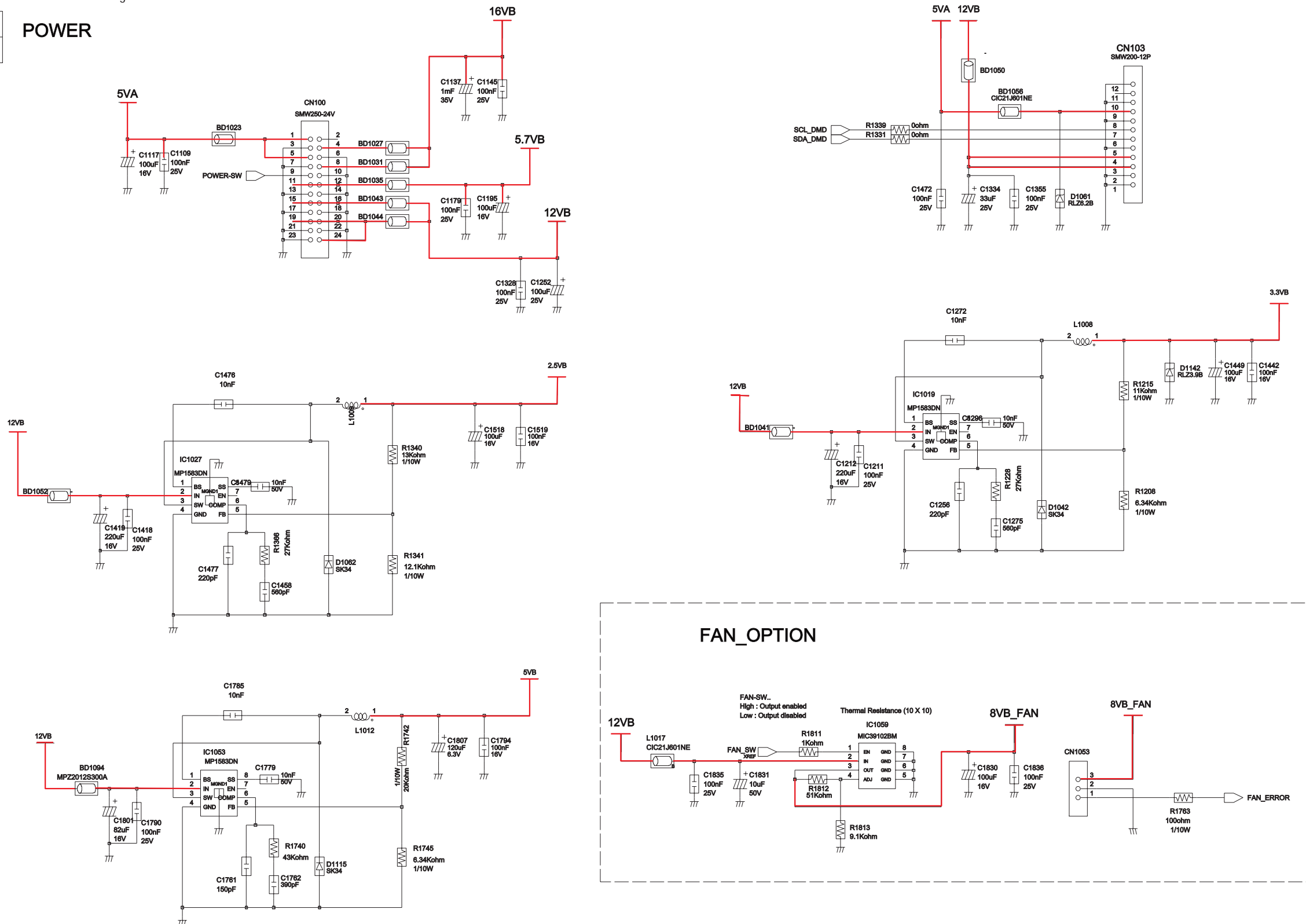
10-1 Main Board

10-1-1 Main Board-1

This Document can not be used without Samsung's authorization.

—	Power
—	Signal

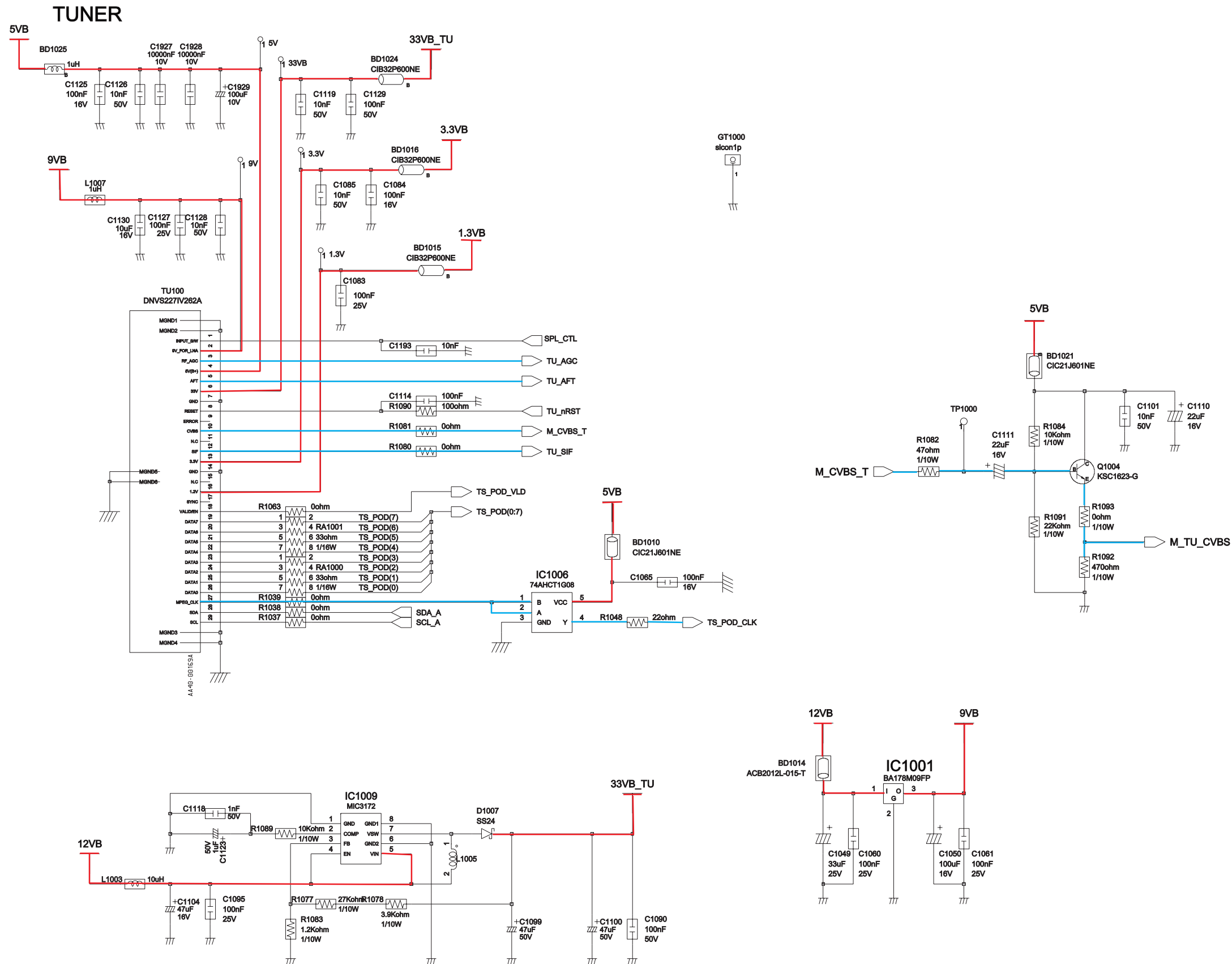
POWER



10-1-2 Main Board-2



This Document can not be used without Samsung's authorization.

—	Power
—	Signal

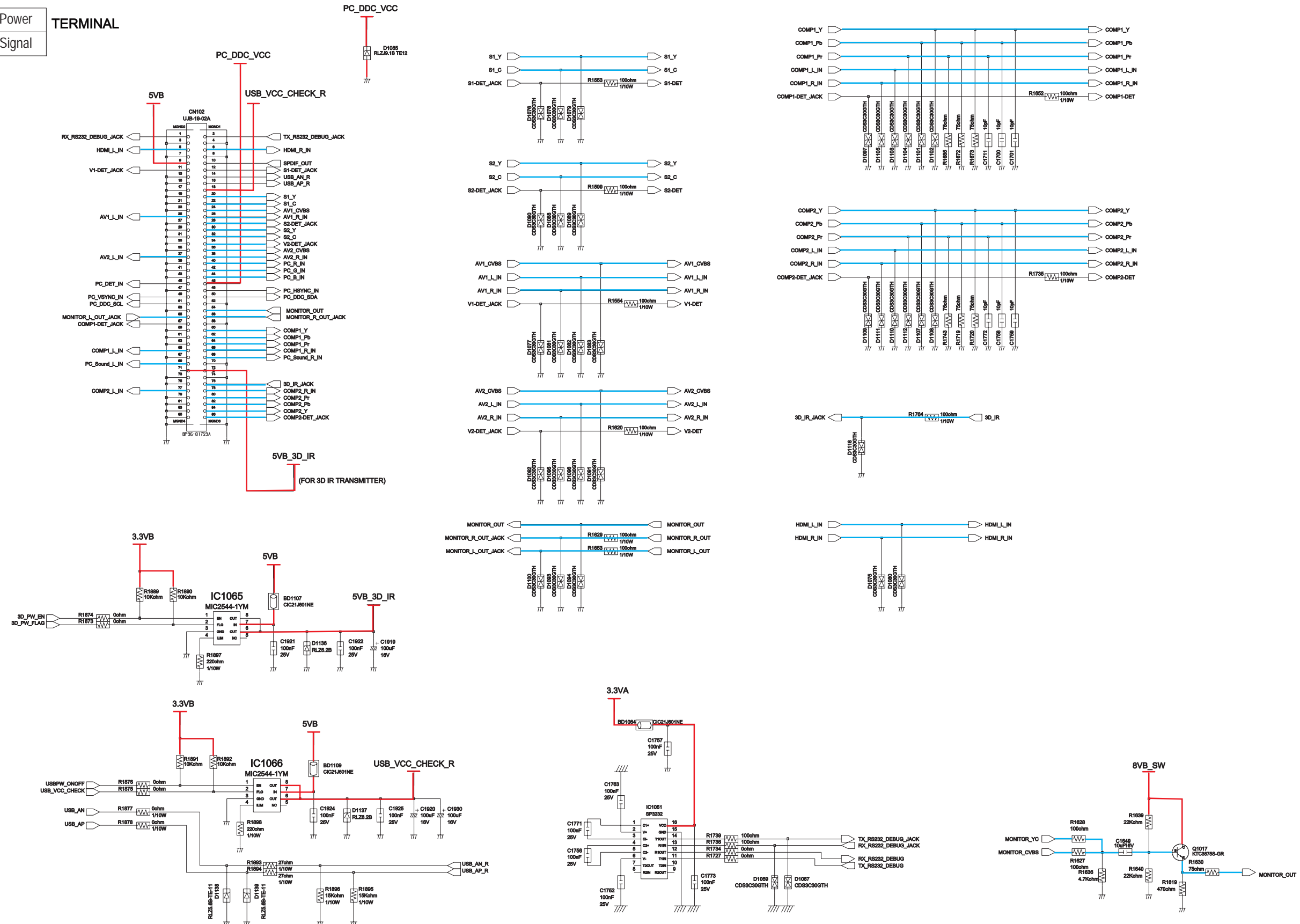


10-1-3 Main Board-3

This Document can not be used without Samsung's authorization.

	Power
	Signal

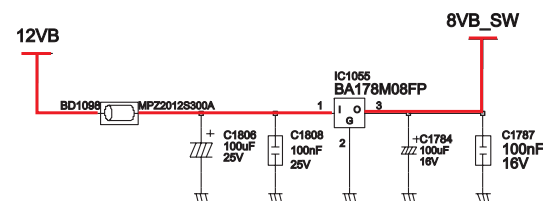
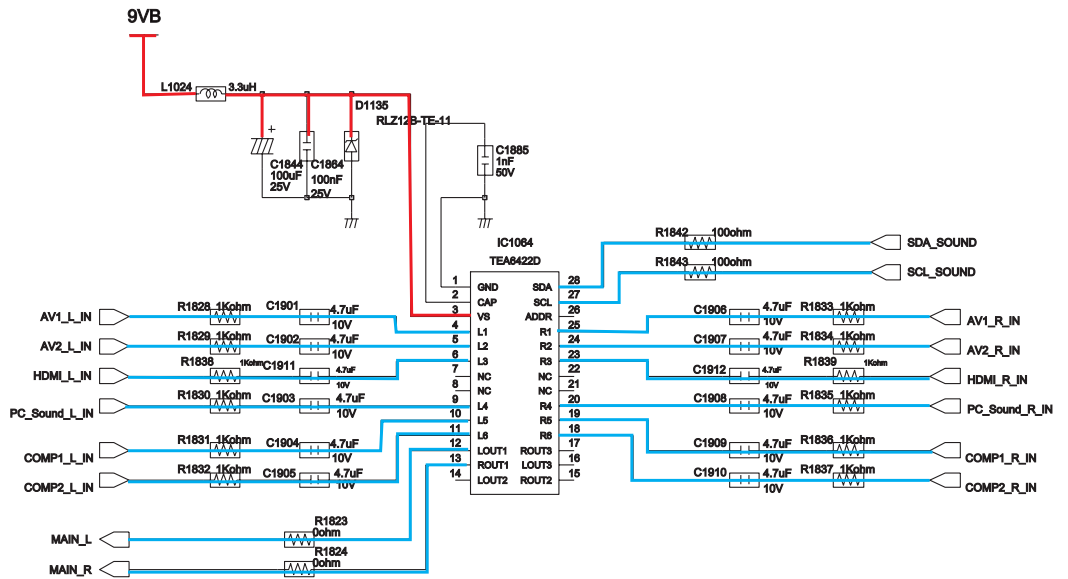
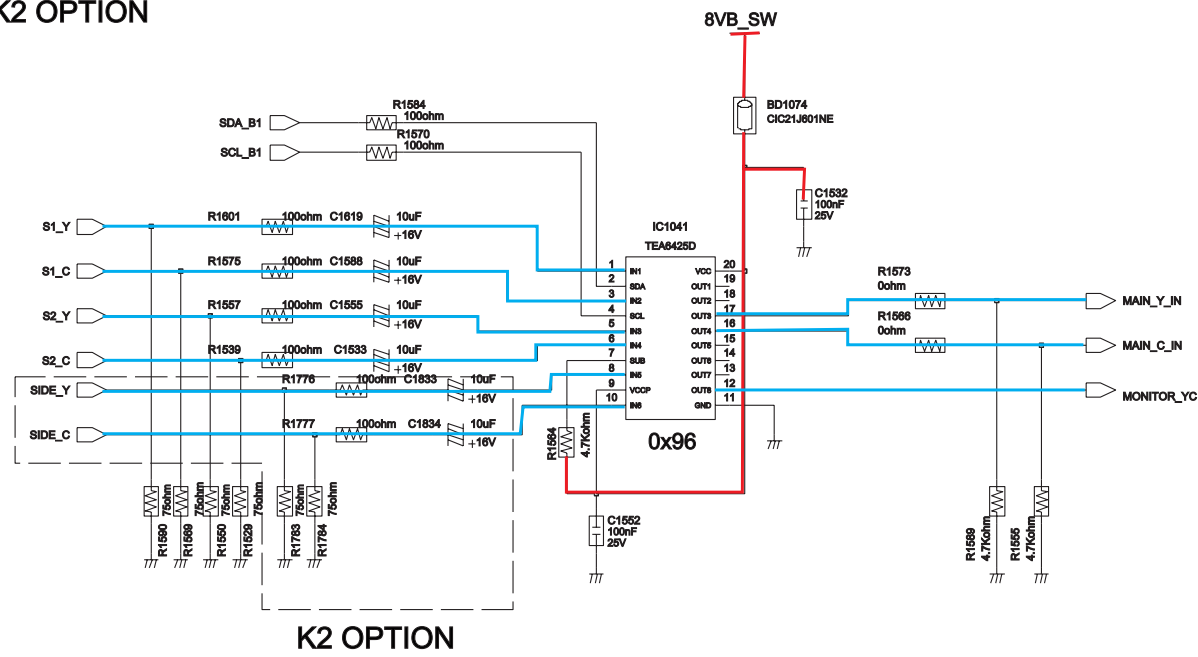
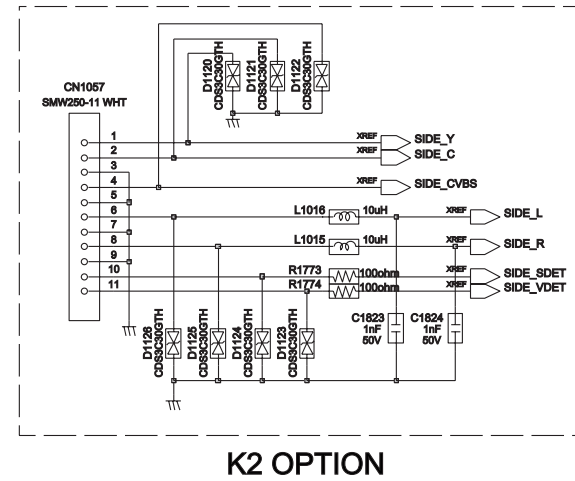
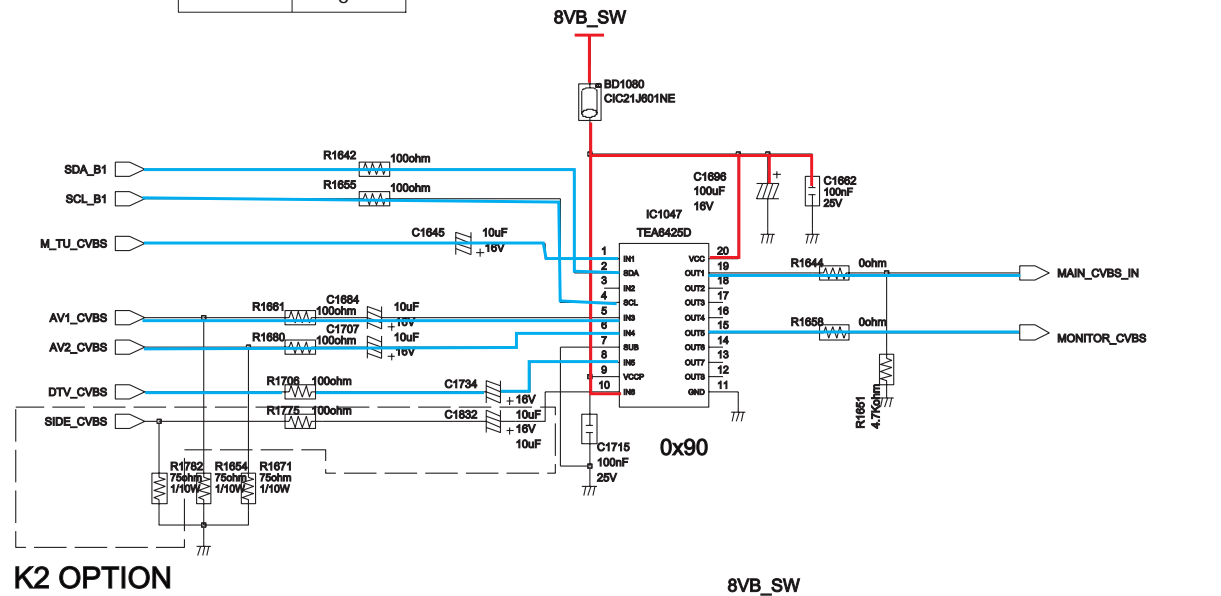
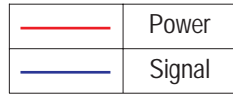
TERMINAL



10-1-4 Main Board-4

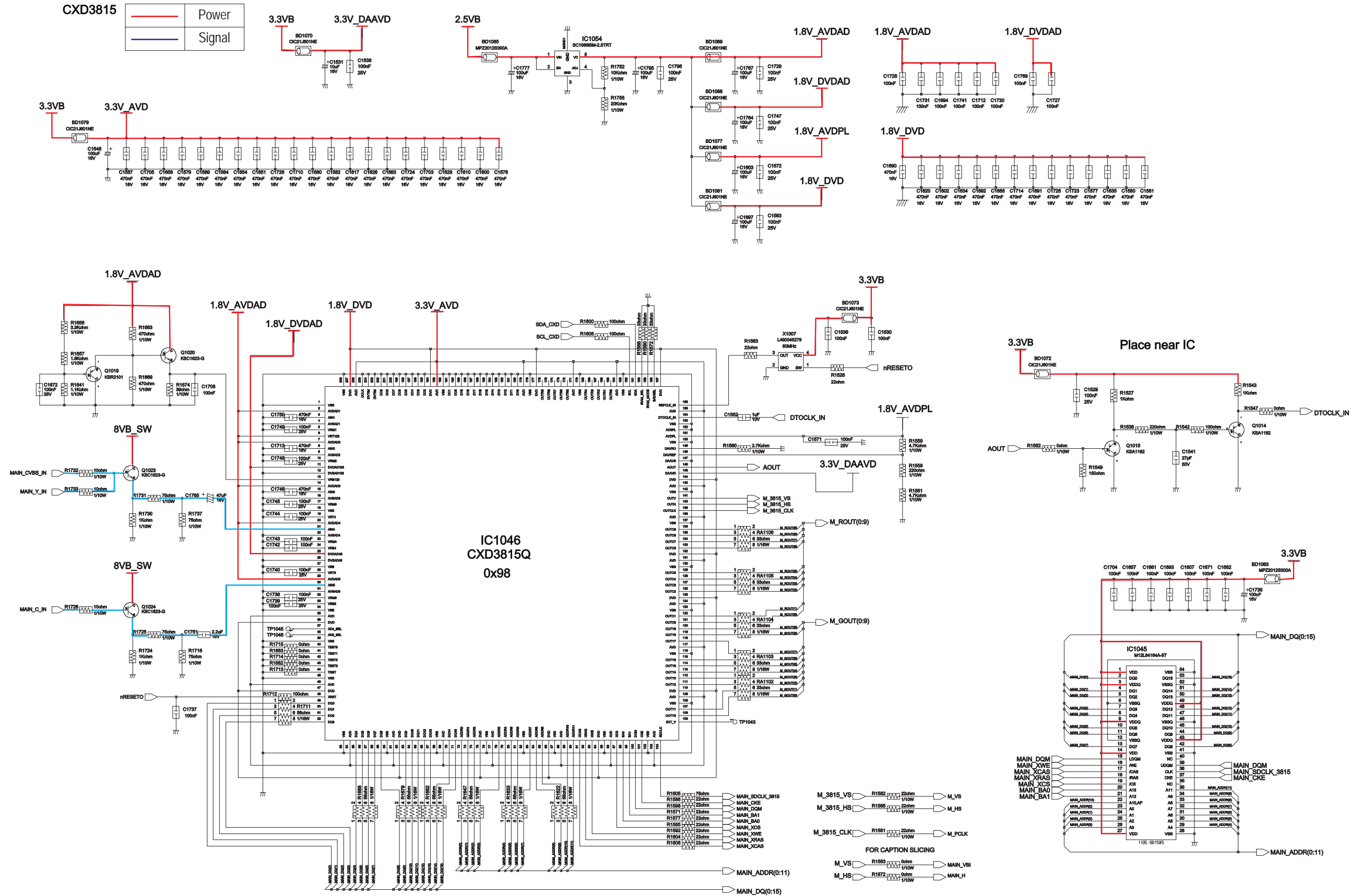
This Document can not be used without Samsung's authorization.

AV_SWITCHING



10-1-5 Main Board-5

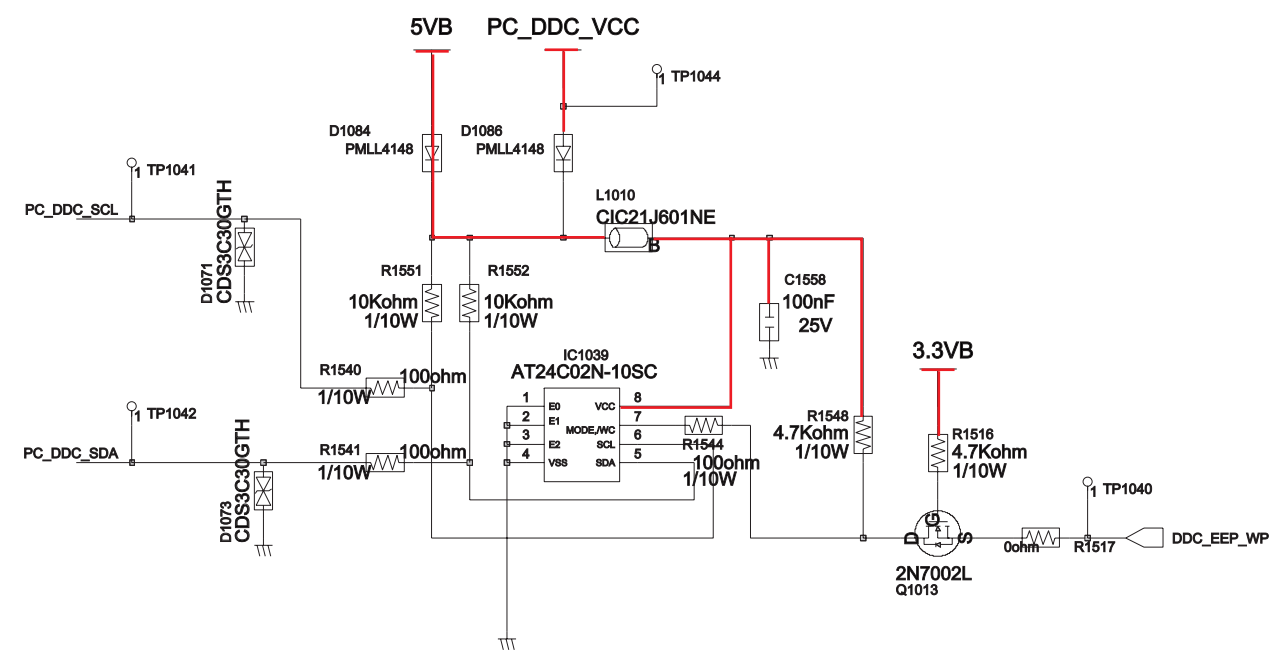
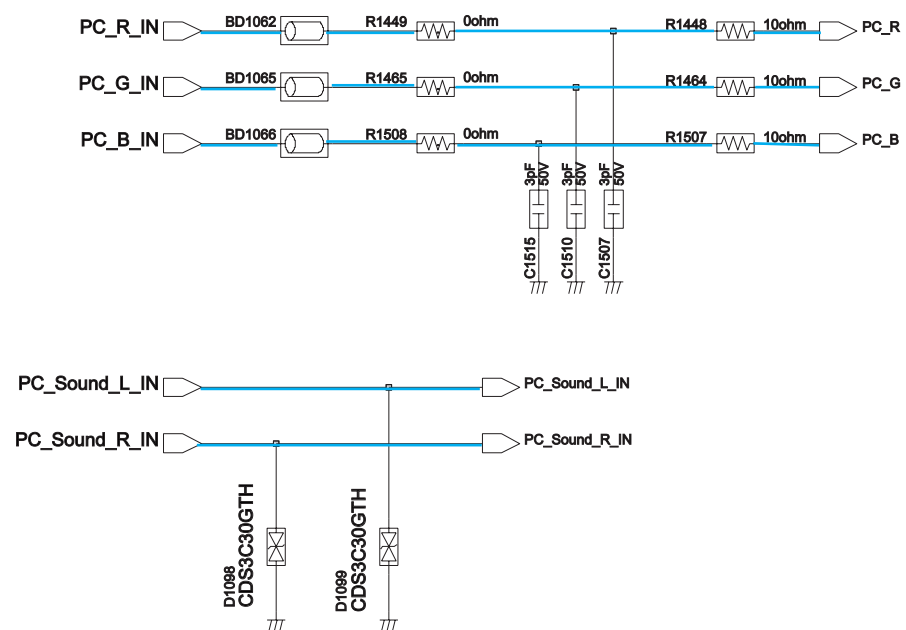
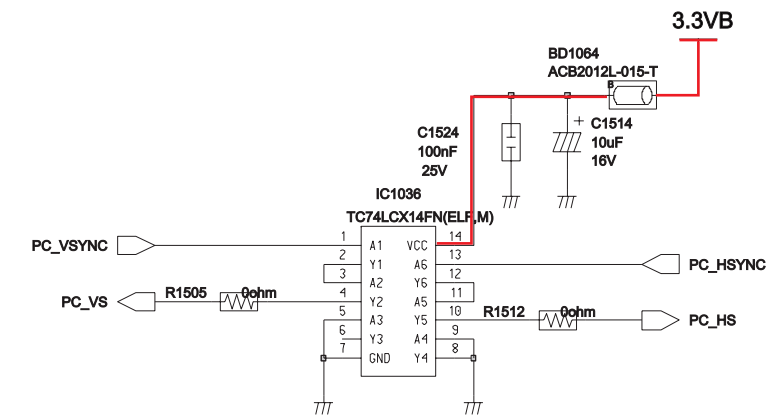
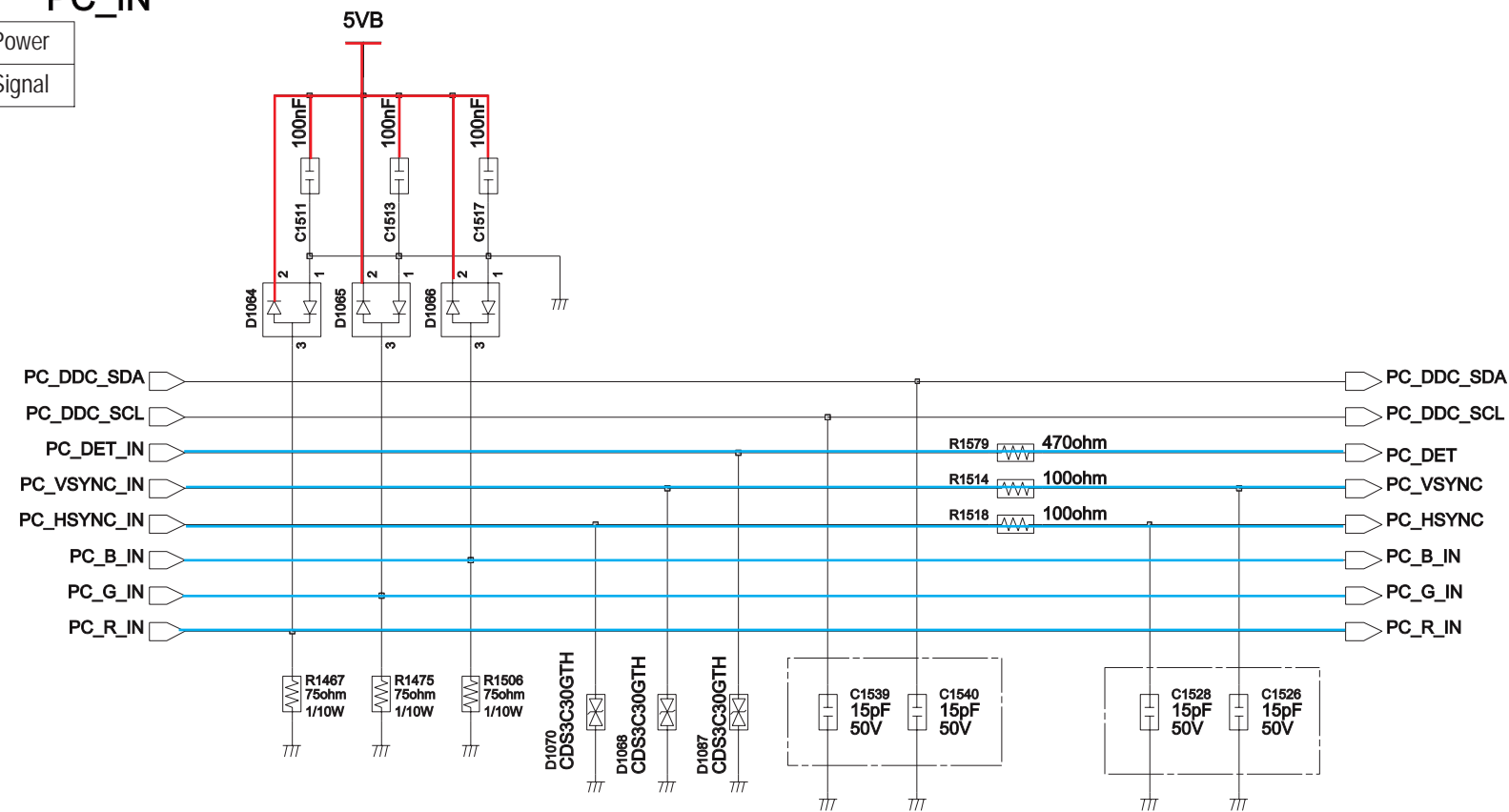
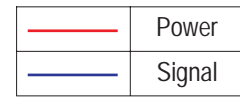
This Document can not be used without Samsung's authorization.



10-1-6 Main Board-6



This Document can not be used without Samsung's authorization.

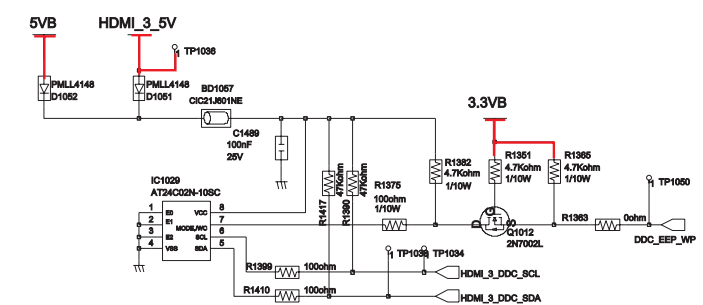
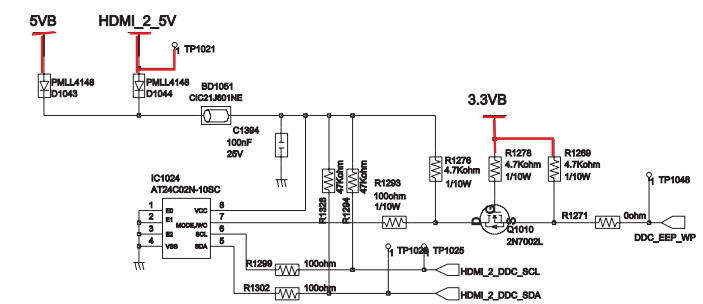
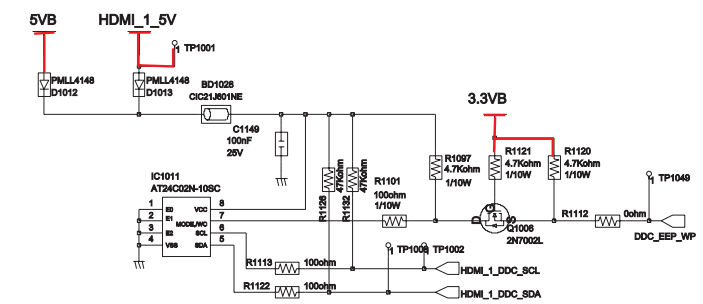
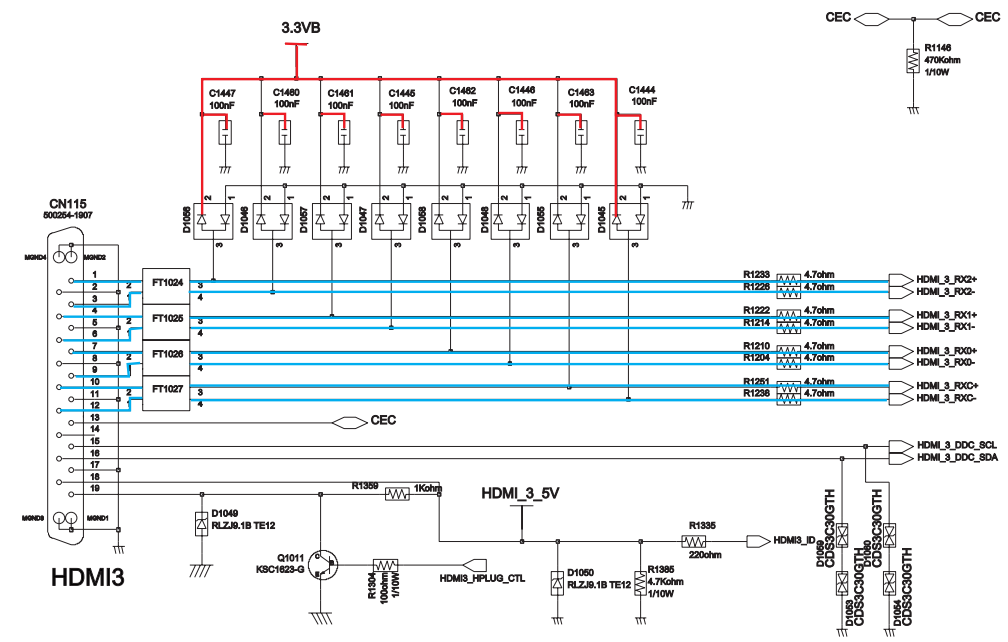
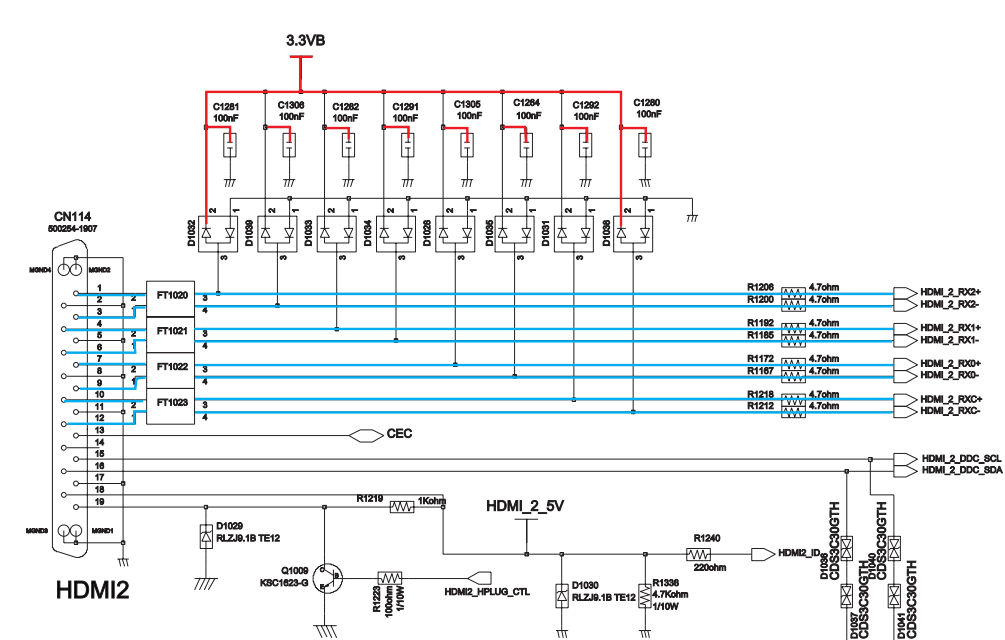
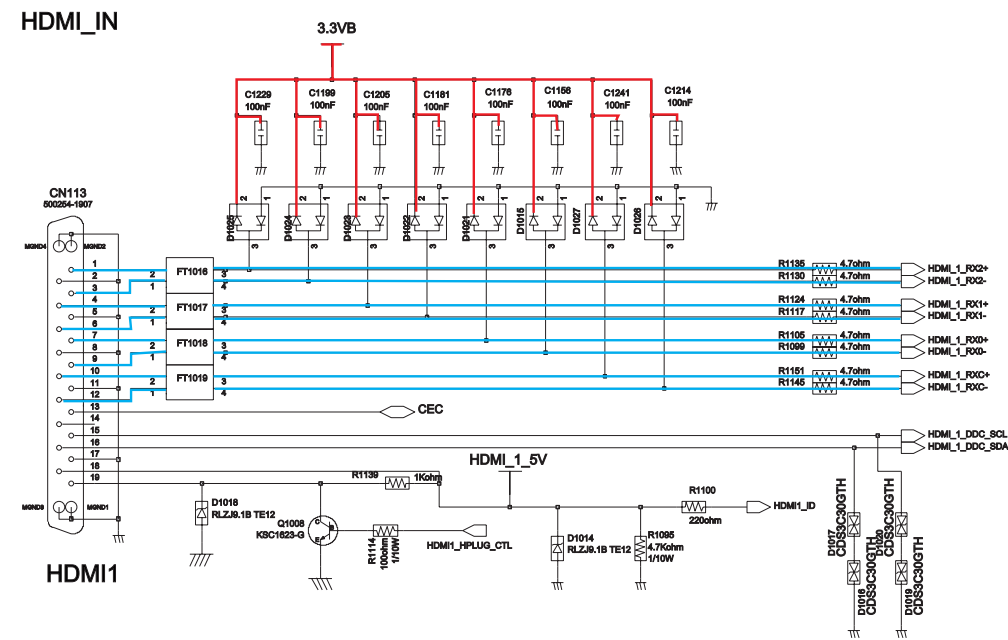
PC_IN



10-1-7 Main Board-7

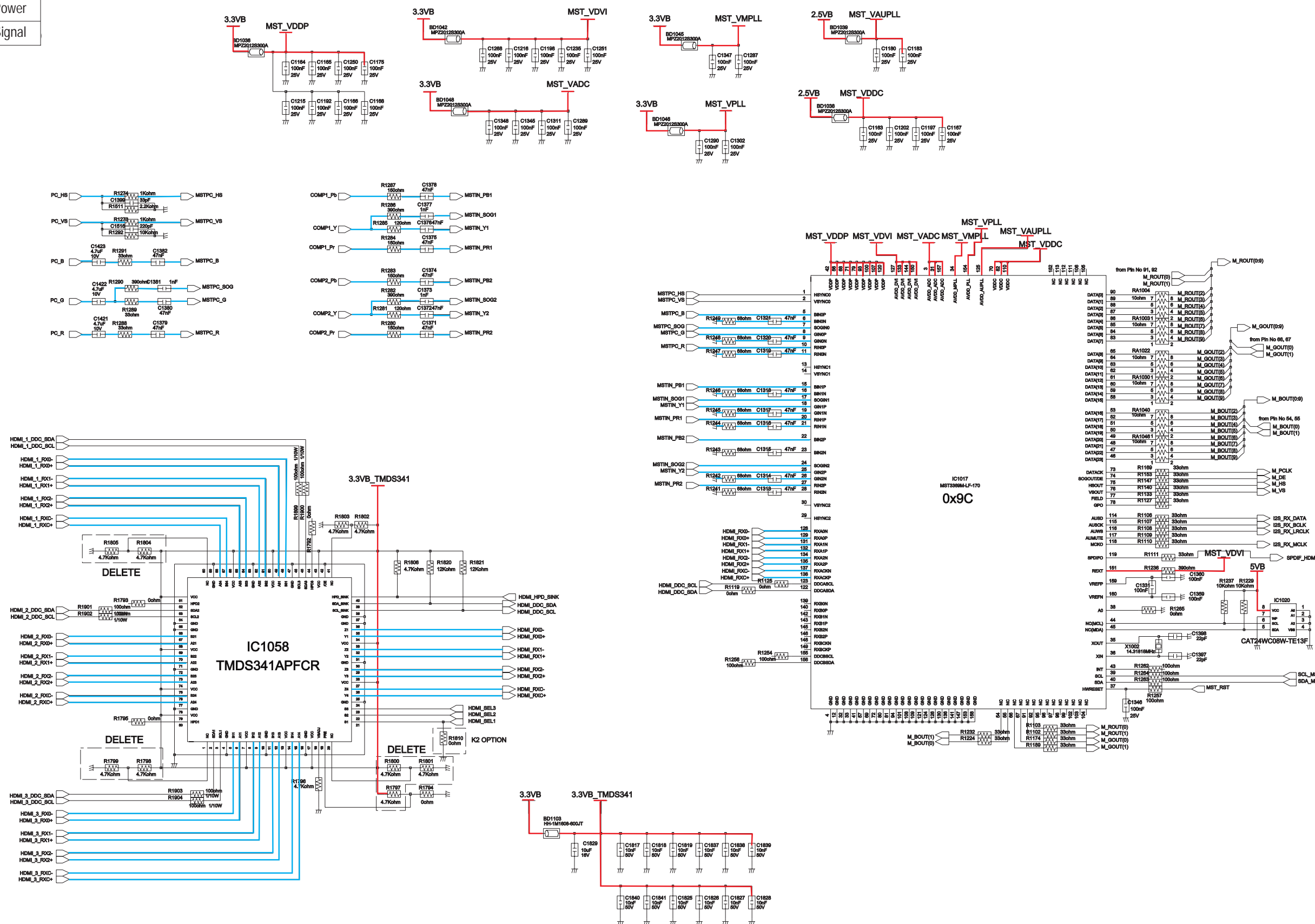
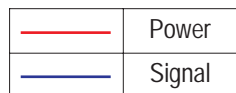
This Document can not be used without Samsung's authorization.

	Power
	Signal



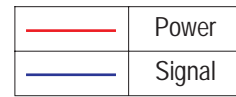
10-1-8 Main Board-8

This Document can not be used without Samsung's authorization.

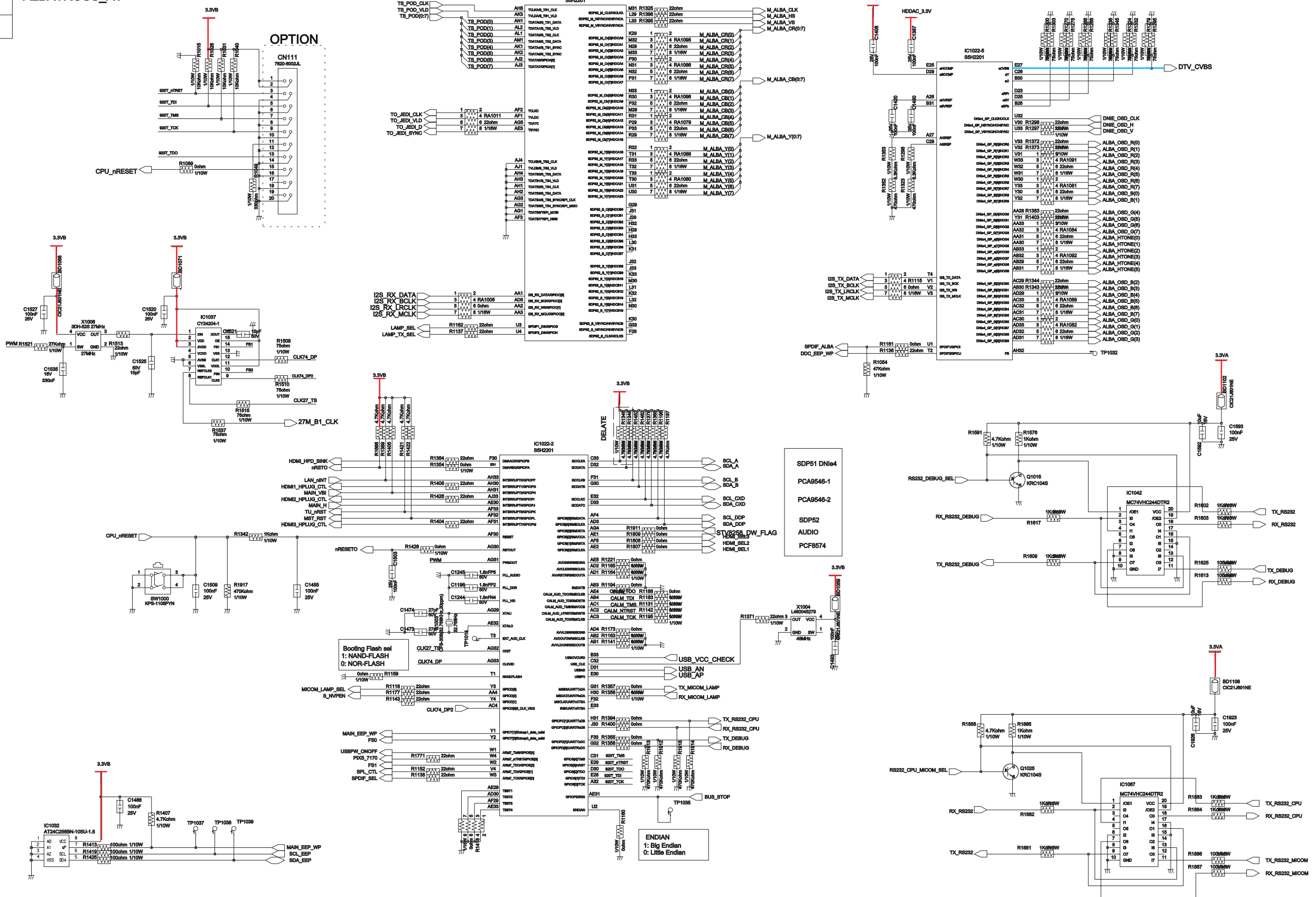


10-1-9 Main Board-9

This Document can not be used without Samsung's authorization.

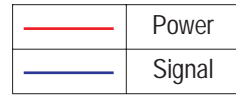


ALBATROSS_AV

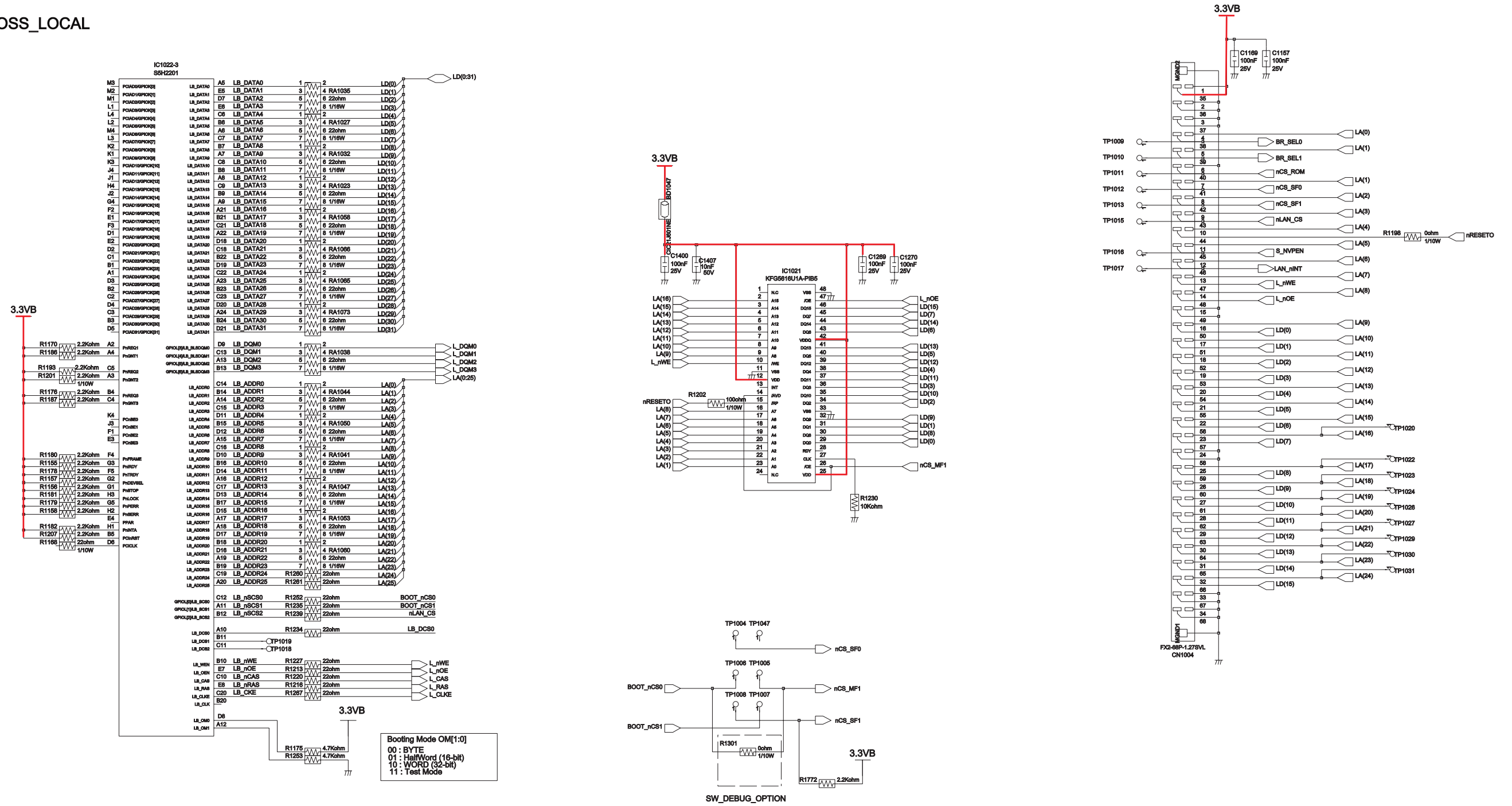


10-1-10 Main Board-10

This Document can not be used without Samsung's authorization.



ALBATROSS_LOCAL

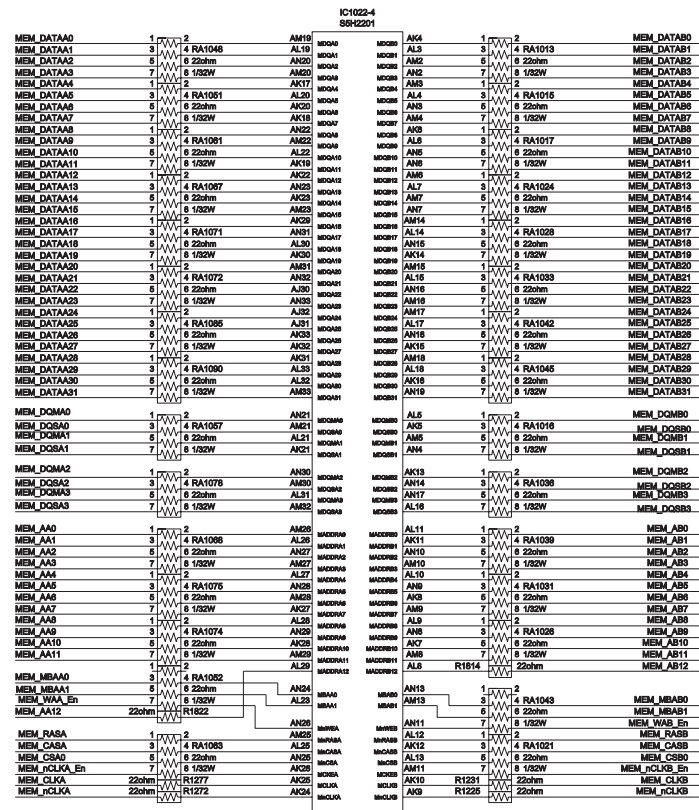


10-11 Main Board-11

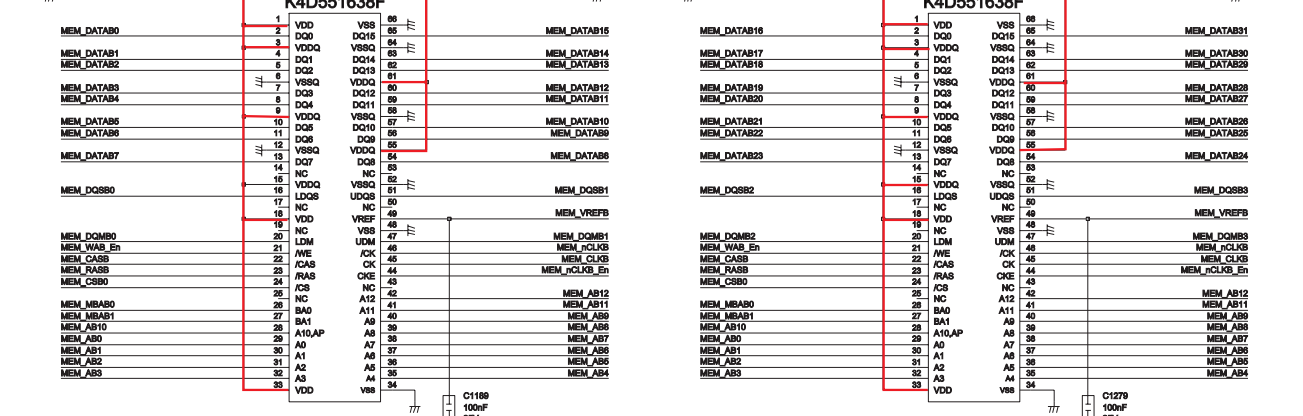
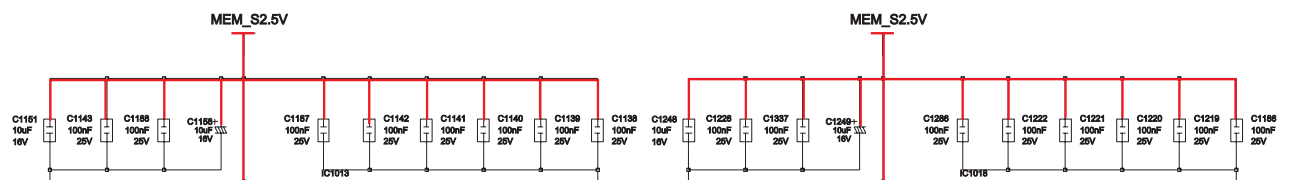
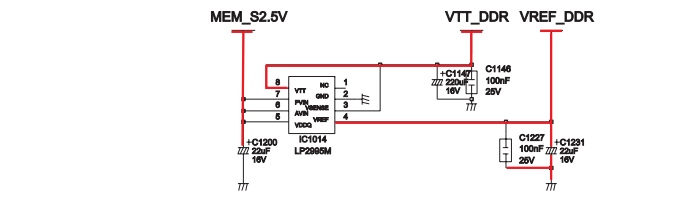
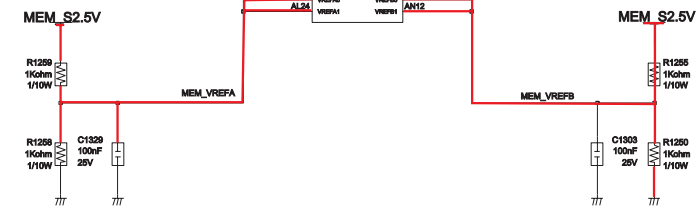
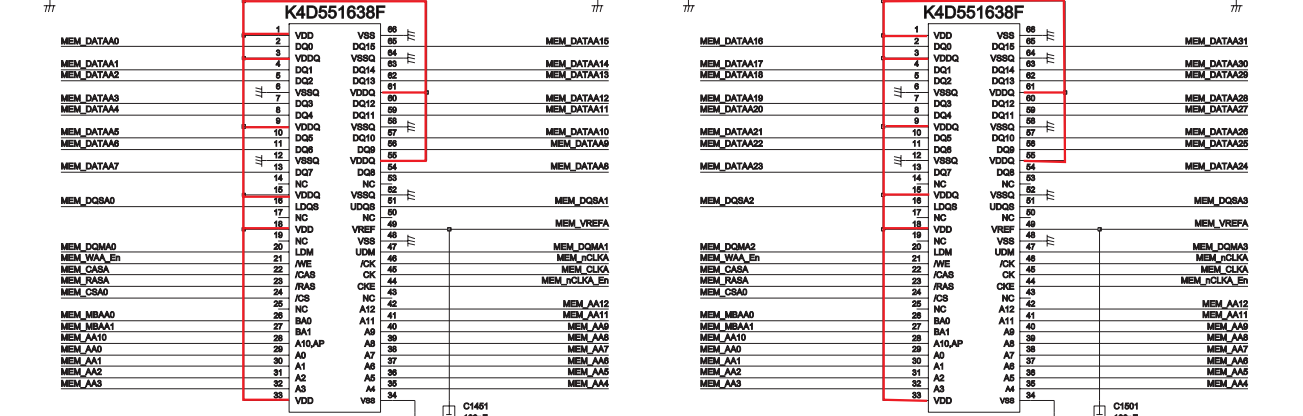
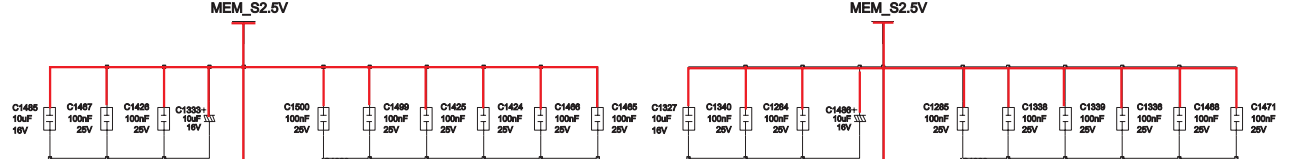
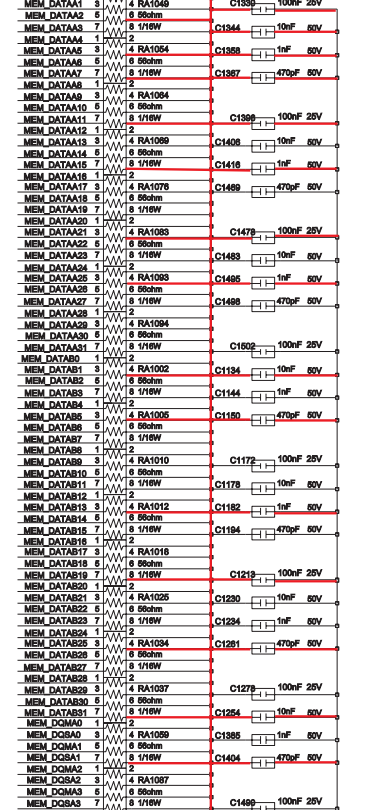
This Document can not be used without Samsung's authorization.



ALBATROSS_DDR



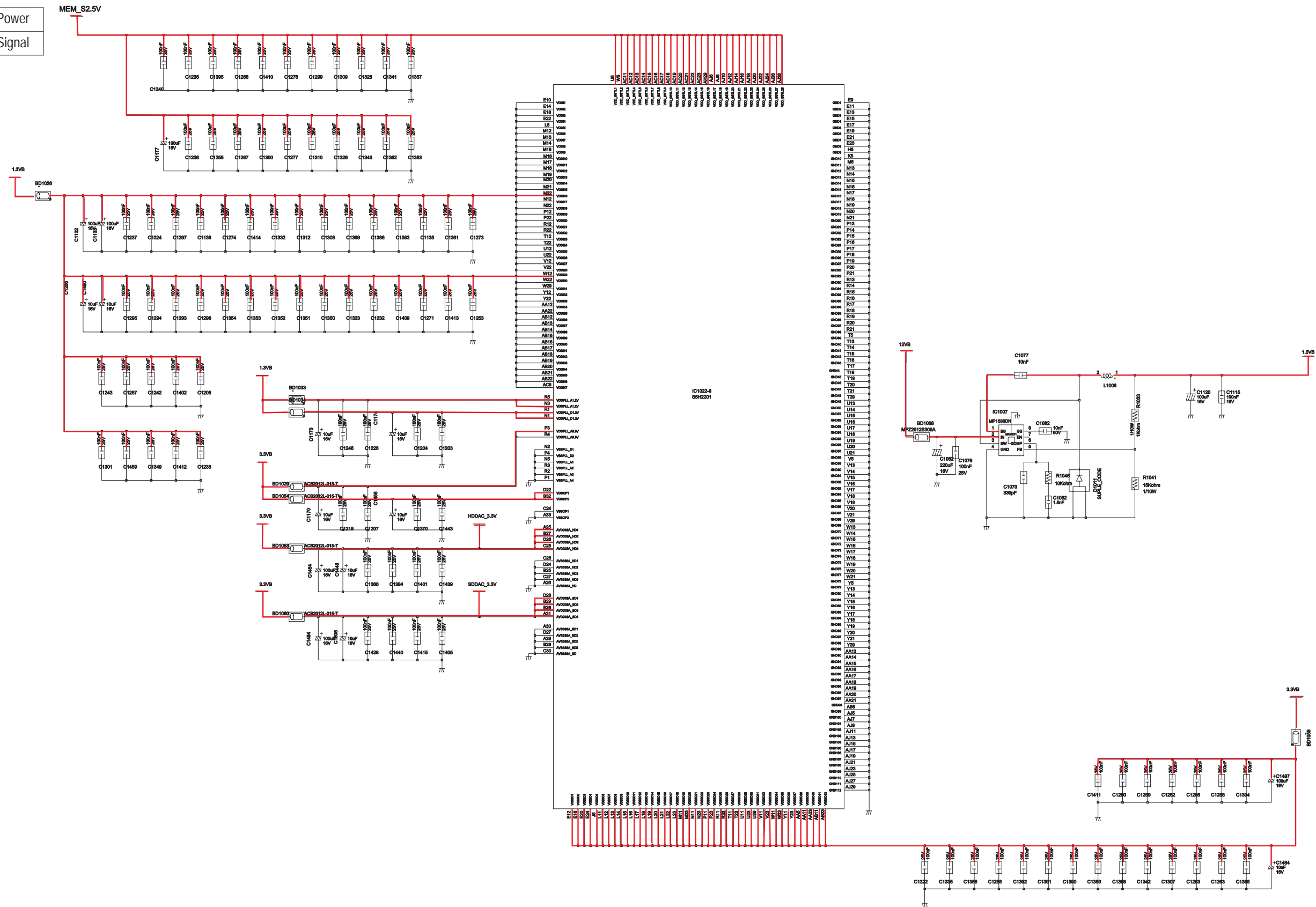
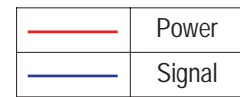
VTT_DDR



10-1-12 Main Board-12

This Document can not be used without Samsung's authorization.

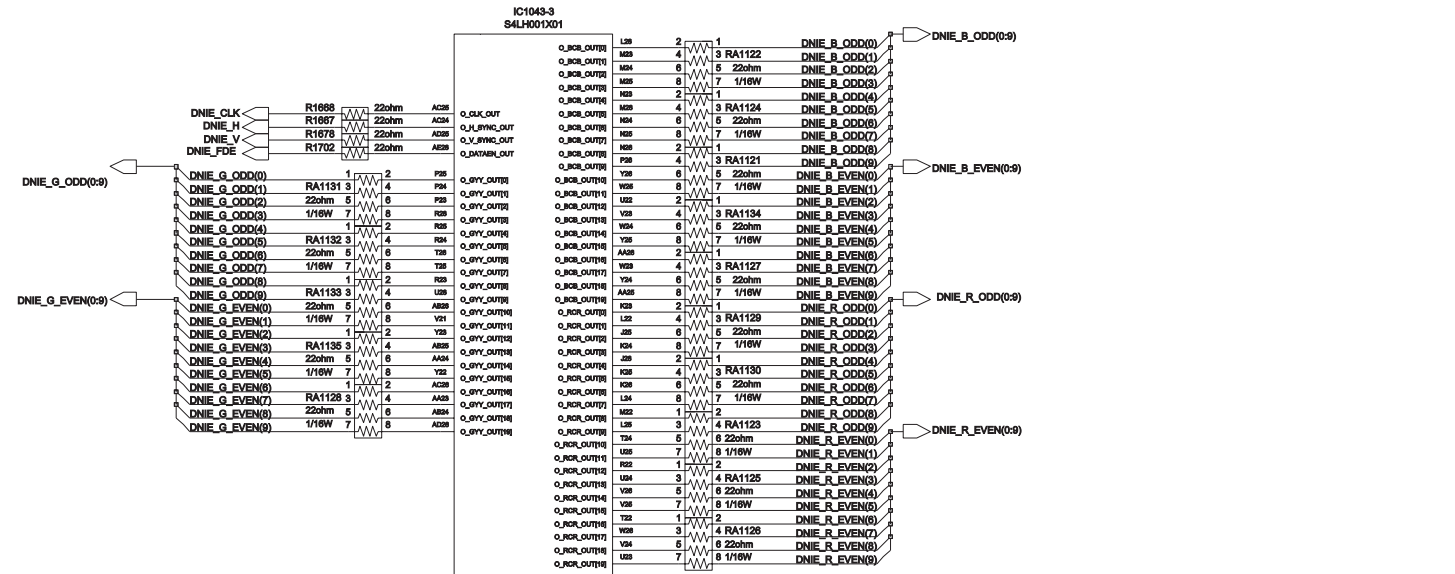
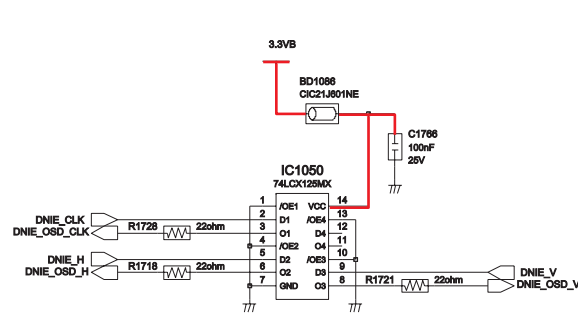
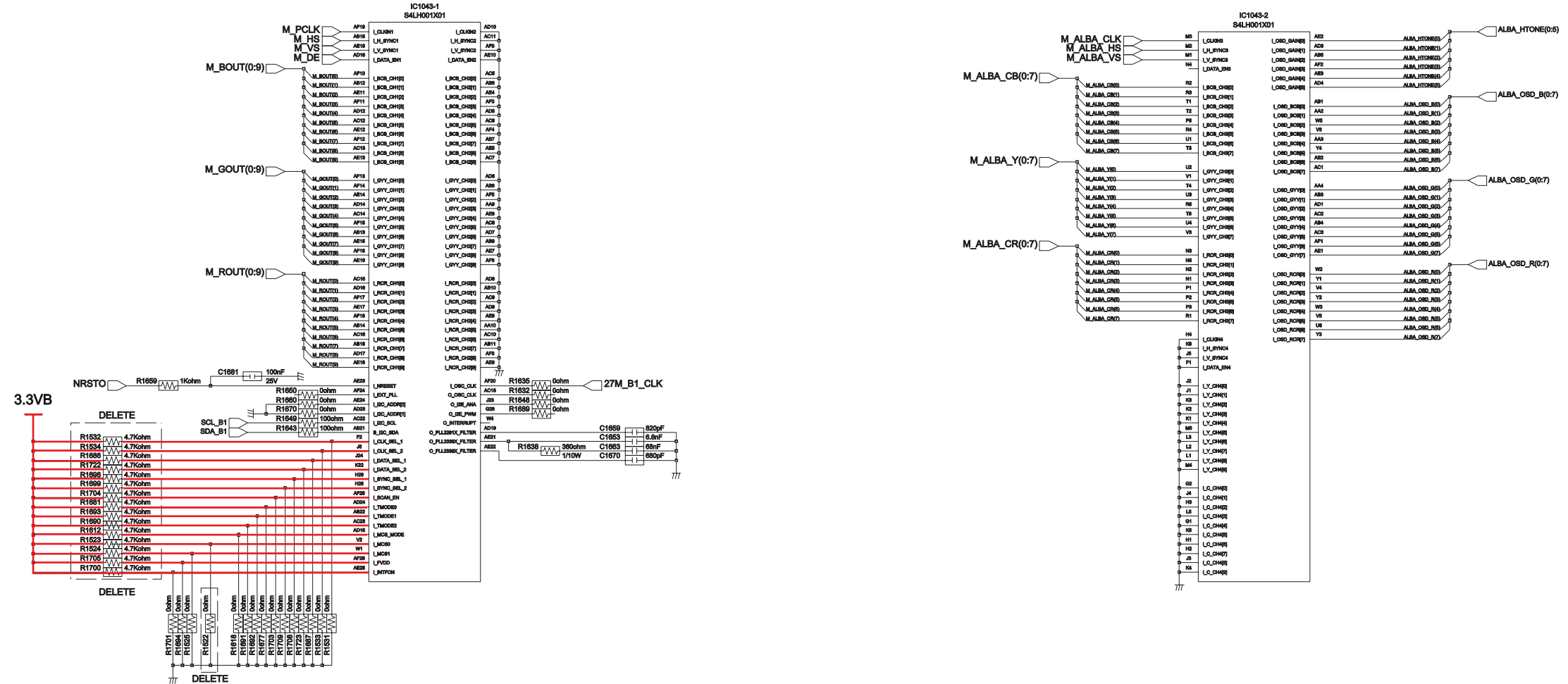
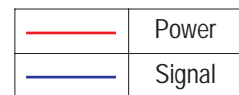
ALBATROSS_POWER



10-1-13 Main Board-13

This Document can not be used without Samsung's authorization.

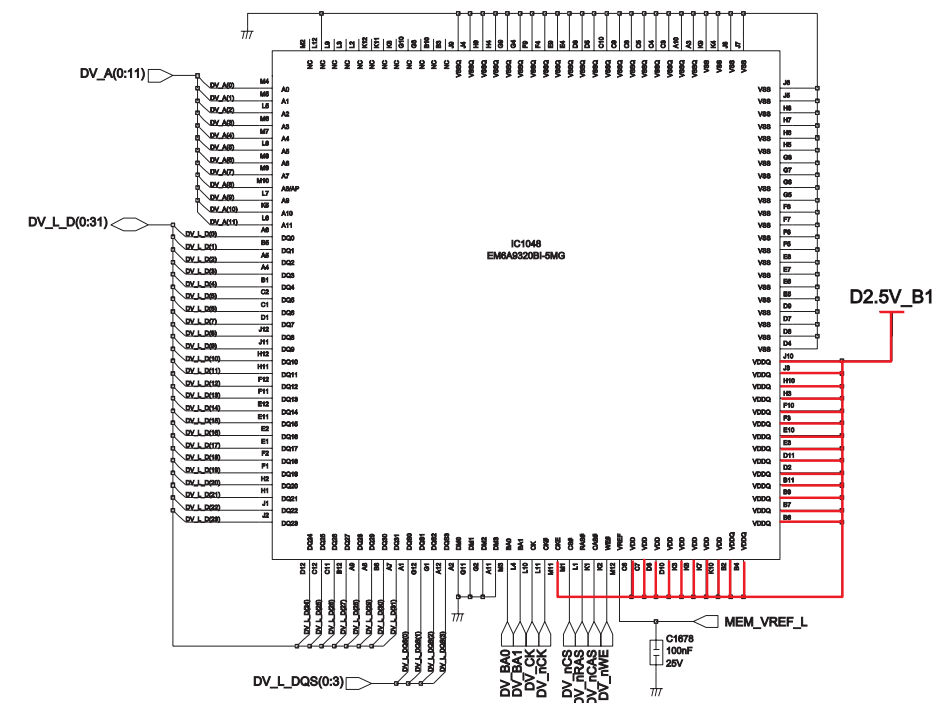
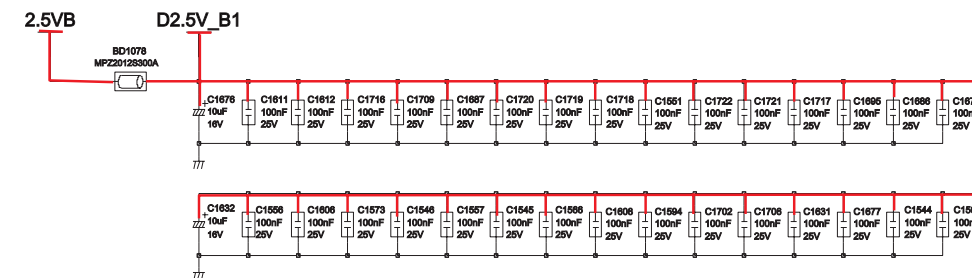
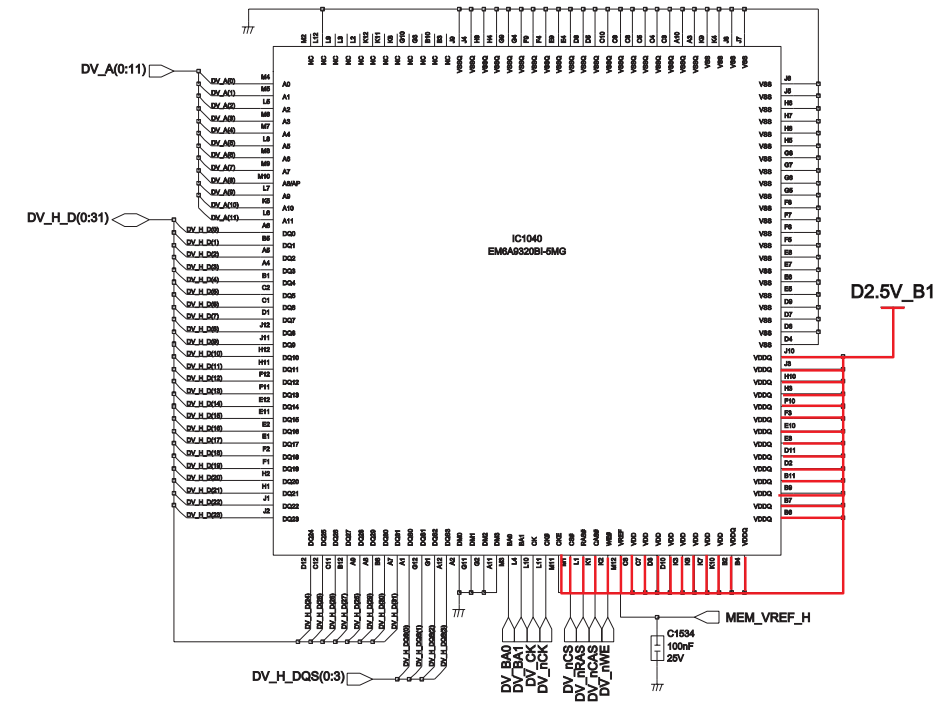
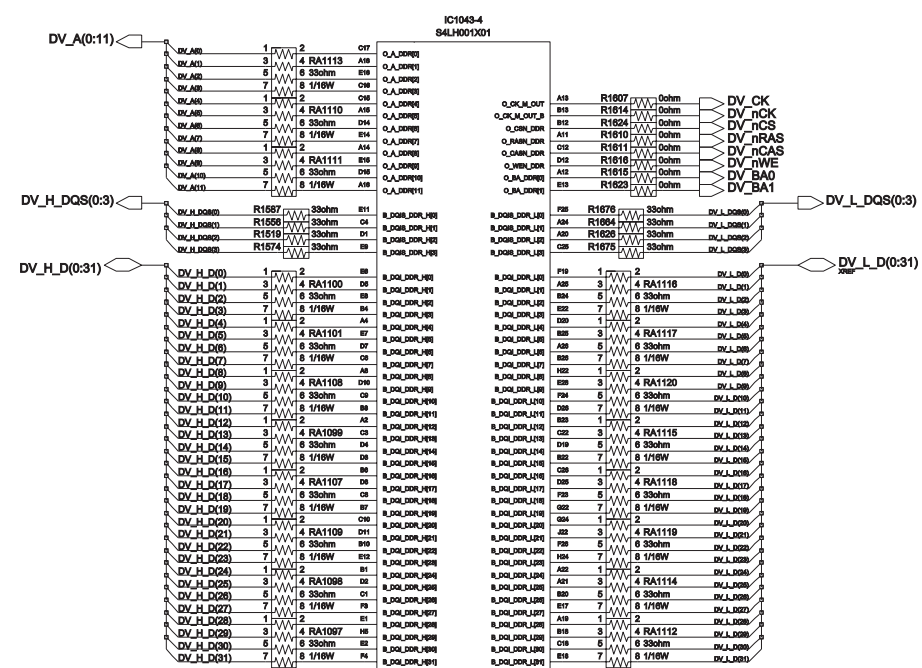
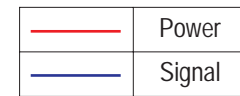
B1_AV



10-1-14 Main Board-14

This Document can not be used without Samsung's authorization.



B1_DDR

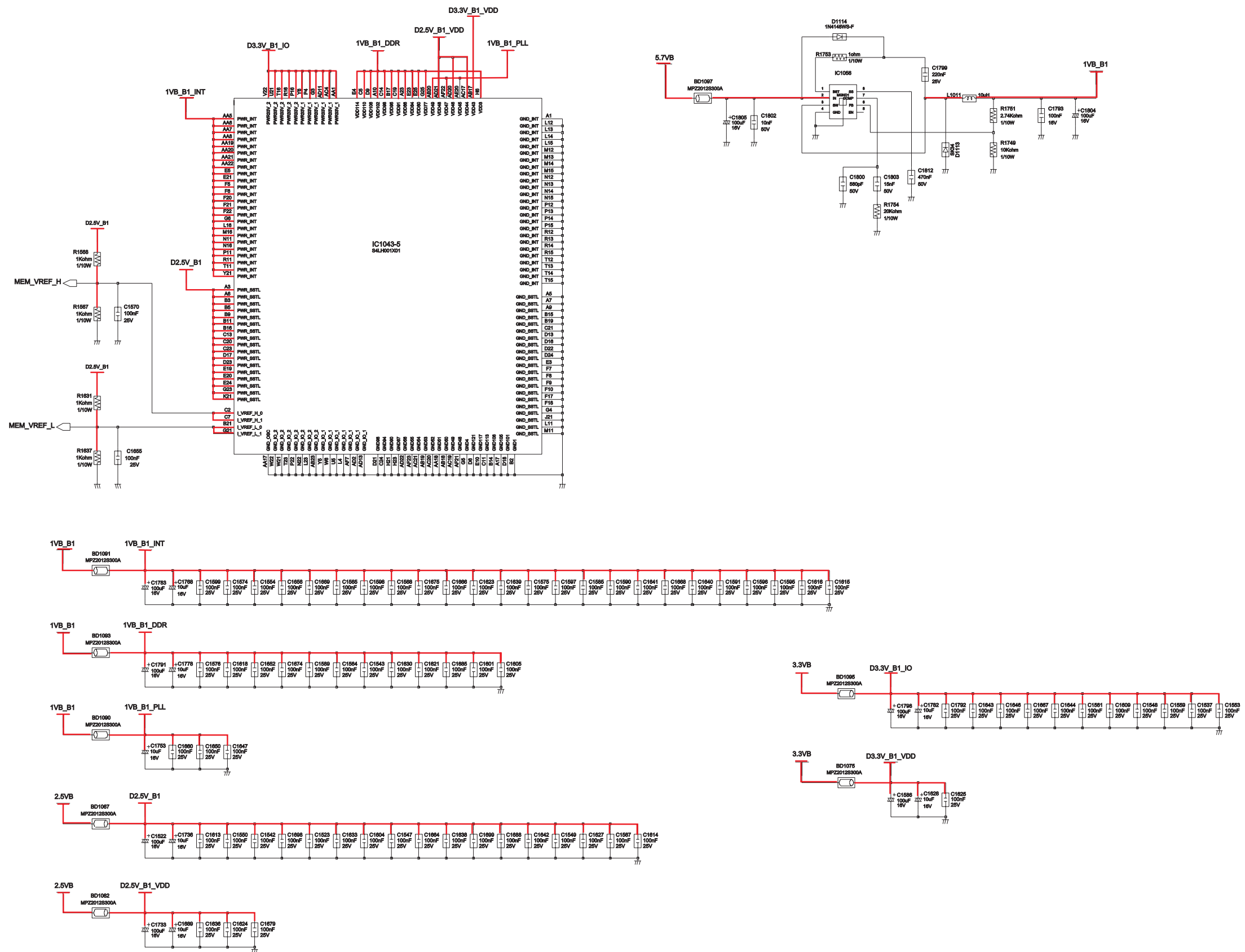


10-1-15 Main Board-15

This Document can not be used without Samsung's authorization.

B1_POWER

	Power
	Signal

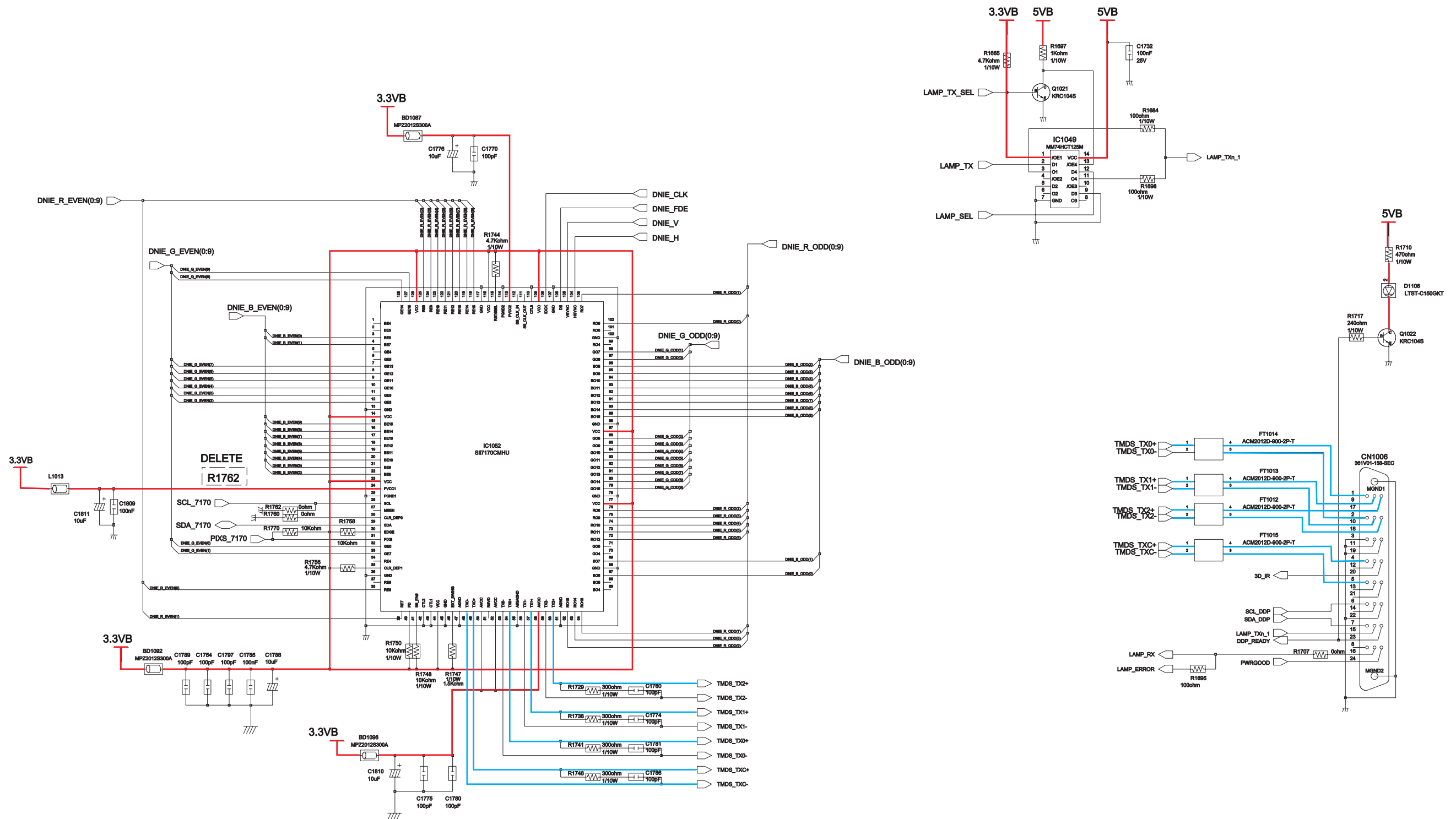


10-1-16 Main Board-16

This Document can not be used without Samsung's authorization.

TRANSMITTER

—	Power
—	Signal

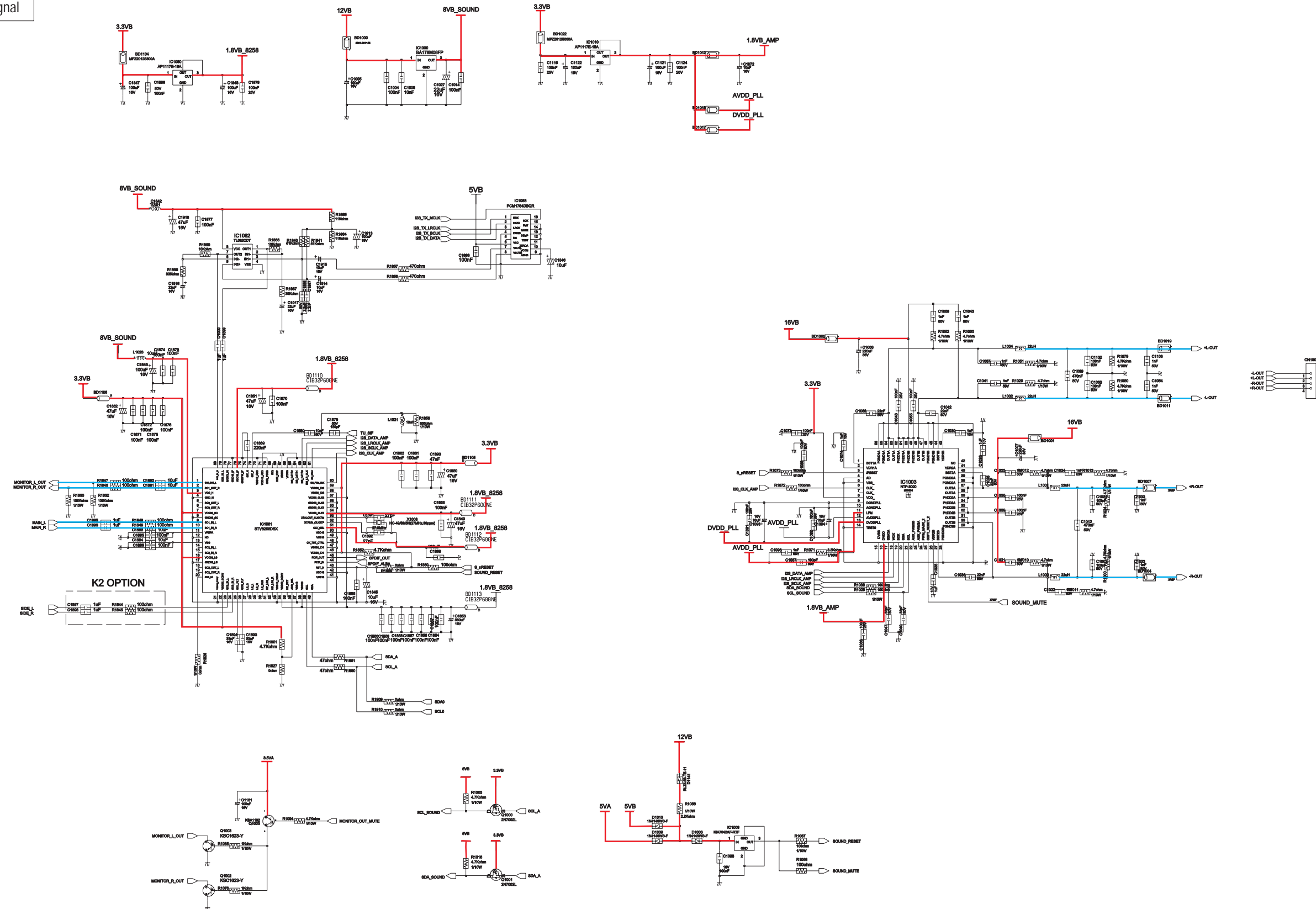


10-17 Main Board-17

This Document can not be used without Samsung's authorization.

AUDIO



— (Red line)	Power
— (Blue line)	Signal



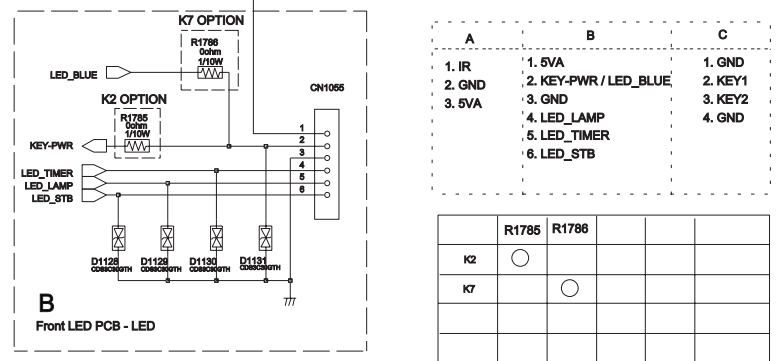
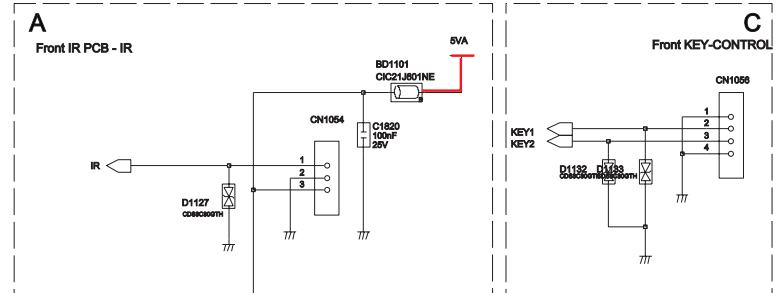
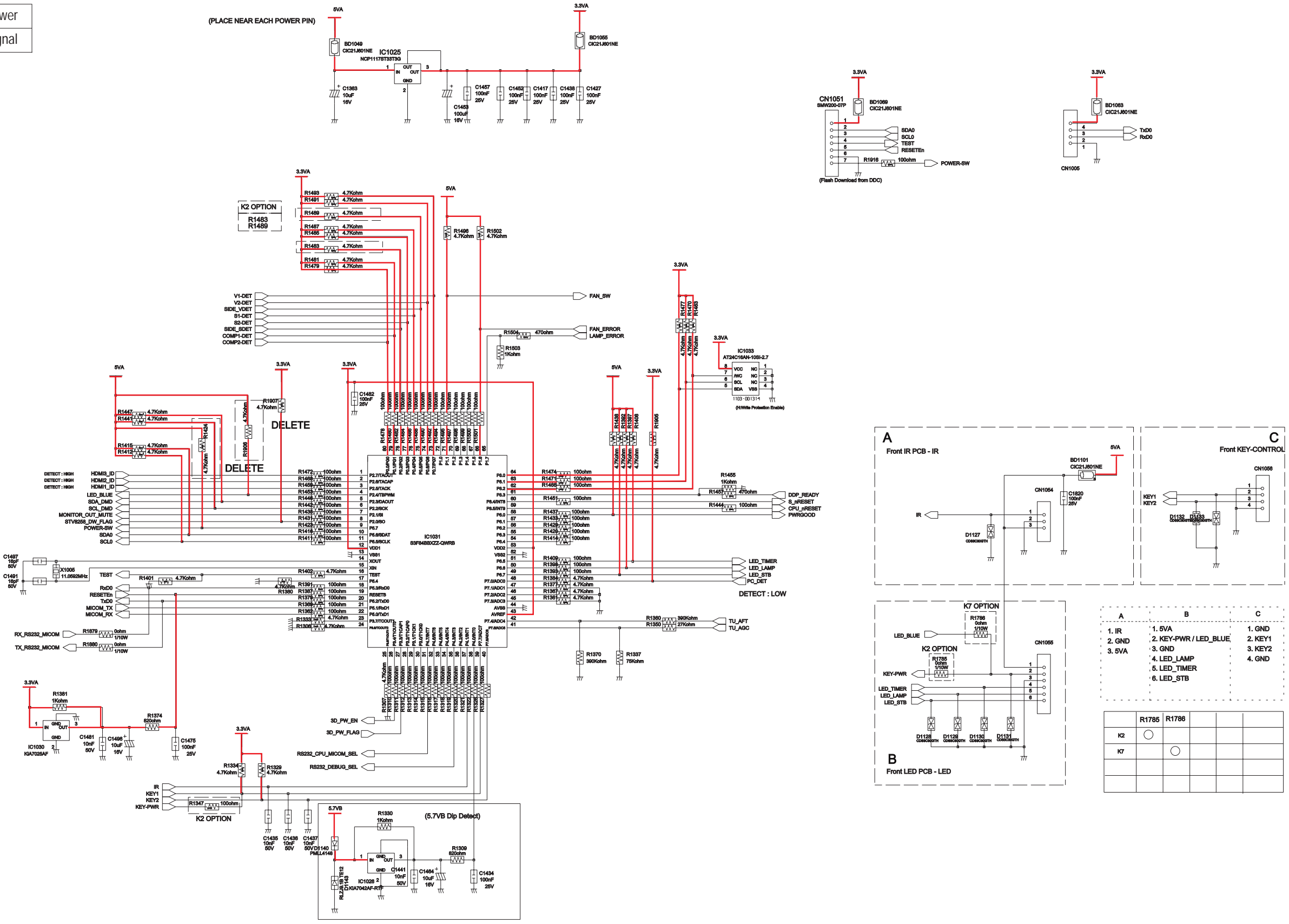
10-1-18 Main Board-18

This Document can not be used without Samsung's authorization.

MICOM

	Power
	Signal

(PLACE NEAR EACH POWER PIN)

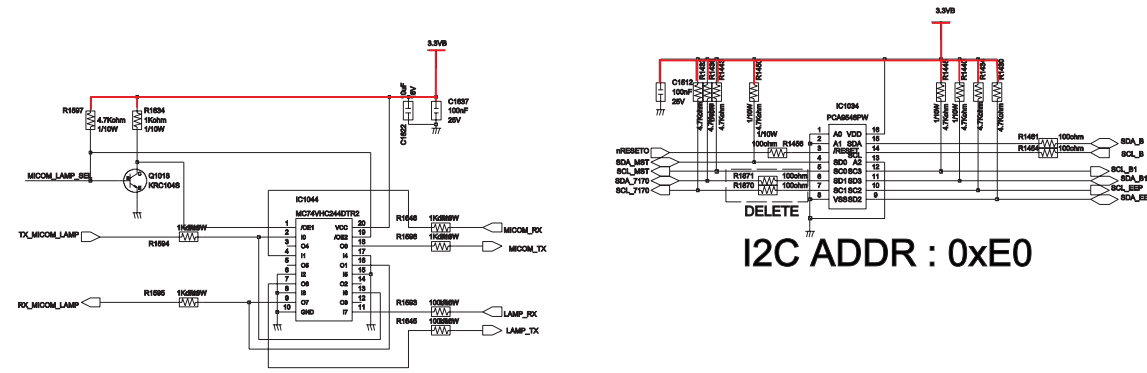


10-1-19 Main Board-19

This Document can not be used without Samsung's authorization.



	Power
	Signal

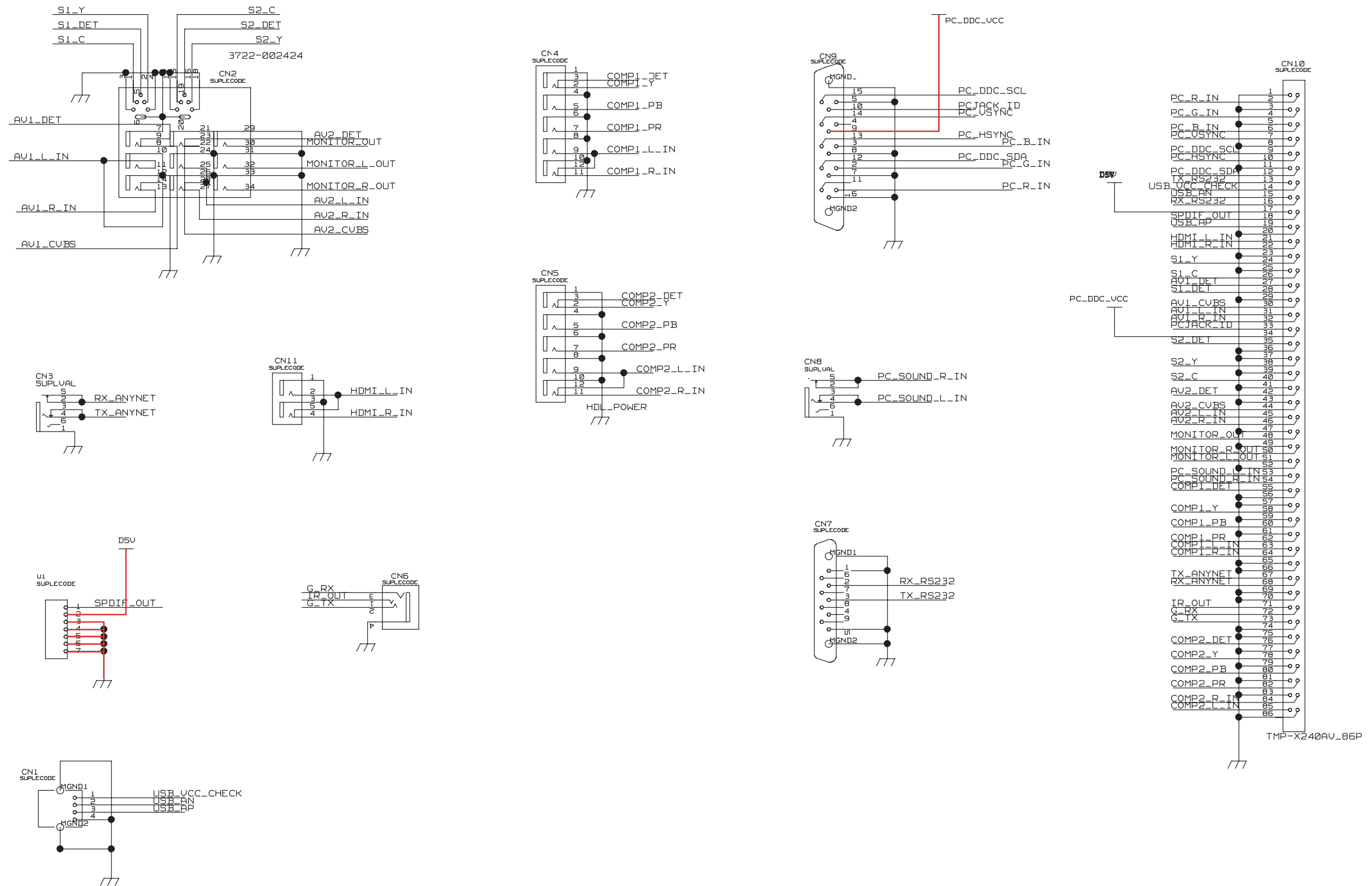
EXPANDER



10-2 Jack Board

This Document can not be used without Samsung's authorization.

	Power
	Signal



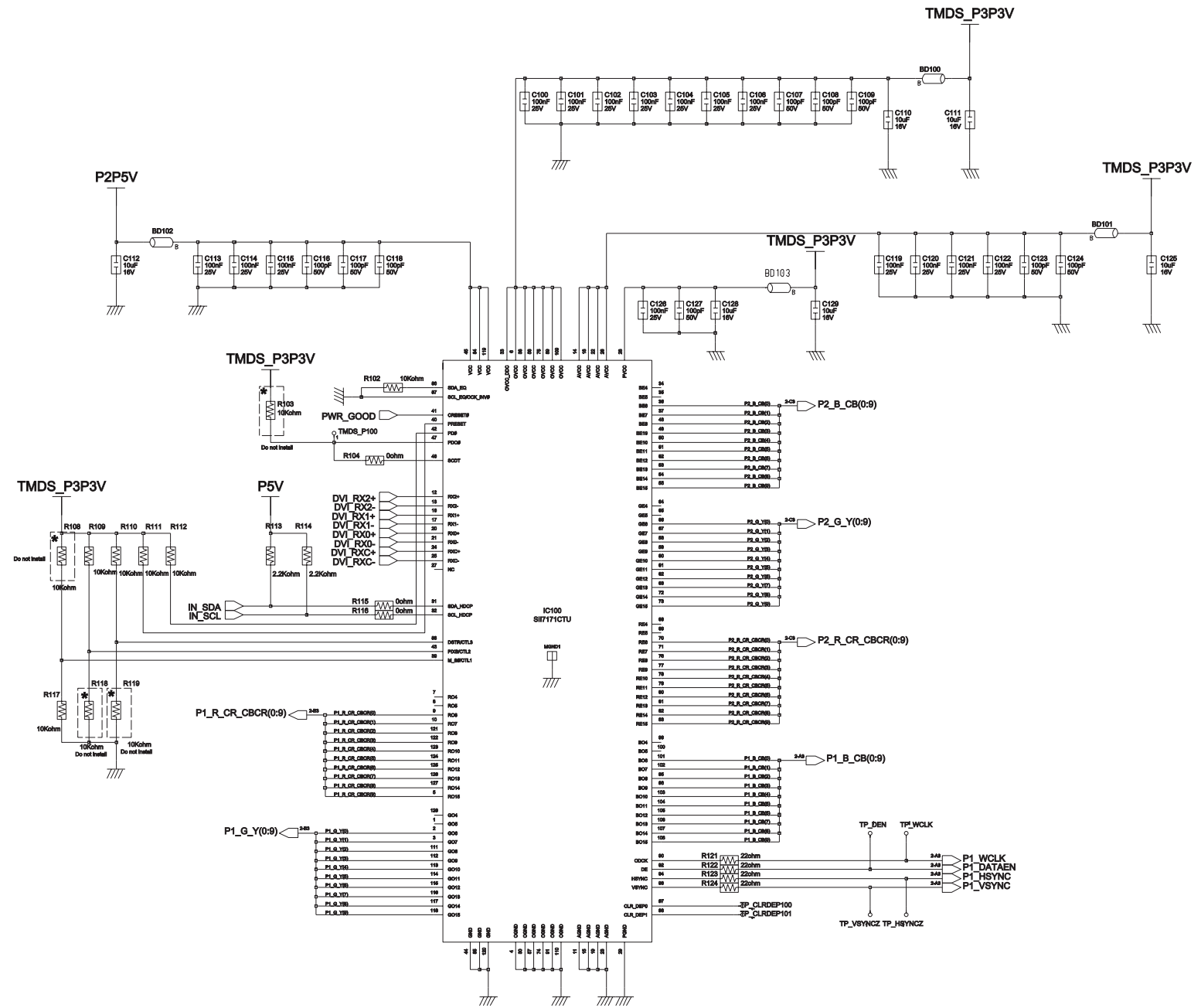
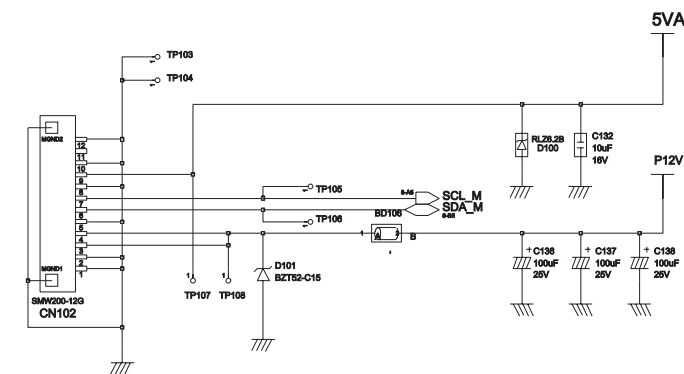
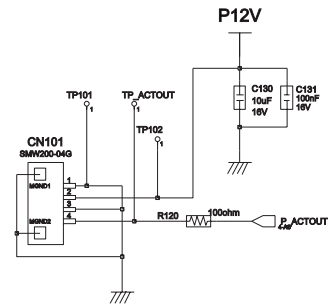
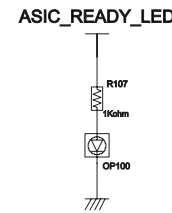
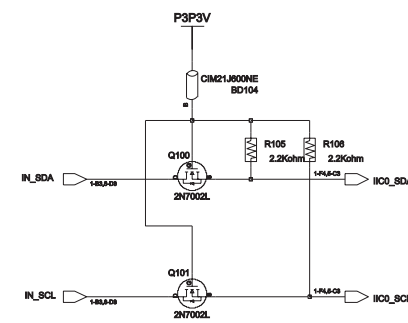
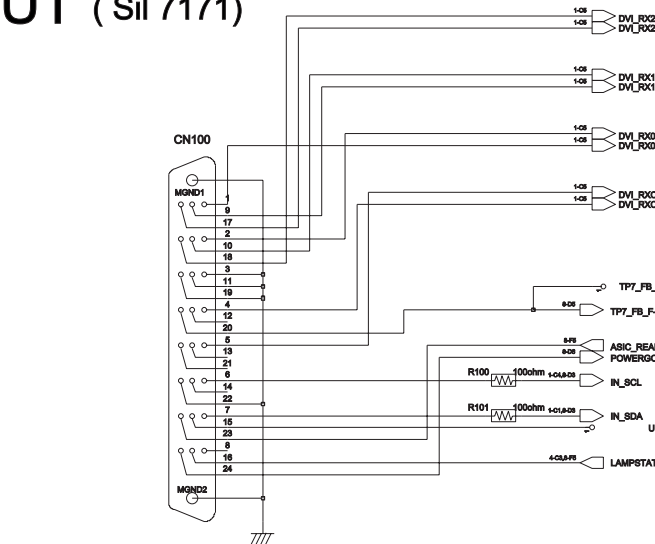
10-3 DMD Board

10-3-1 DMD-1

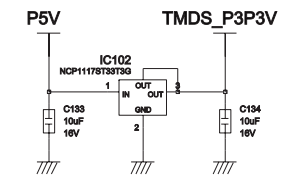
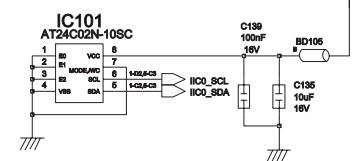
This Document can not be used without Samsung's authorization.

INPUT (Sil 7171)

—	Power
—	Signal



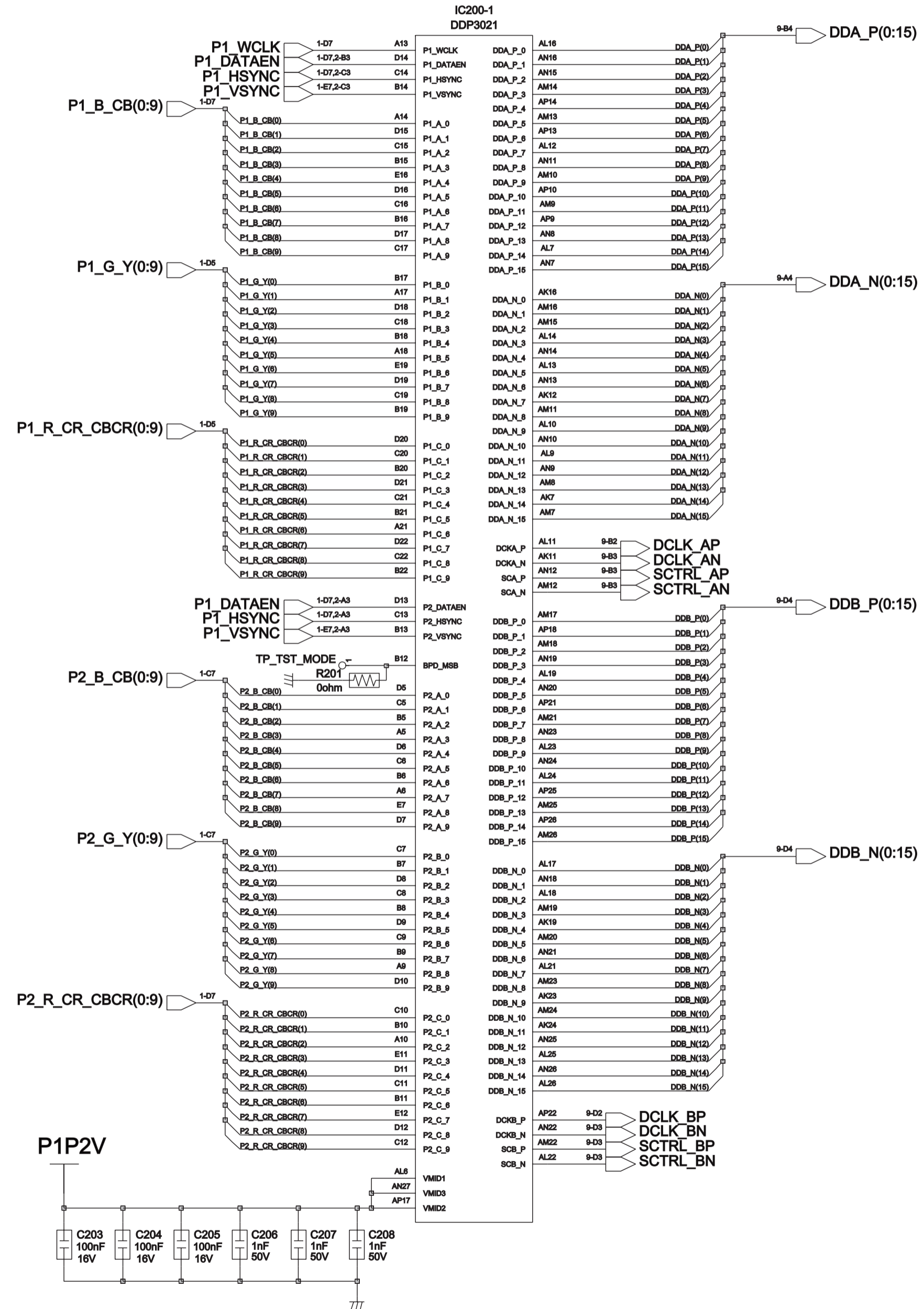
(DUAL-ENDED OUTPUT FOR 1080P MODEL)



10-3-2 DMD-2

This Document can not be used without Samsung's authorization.

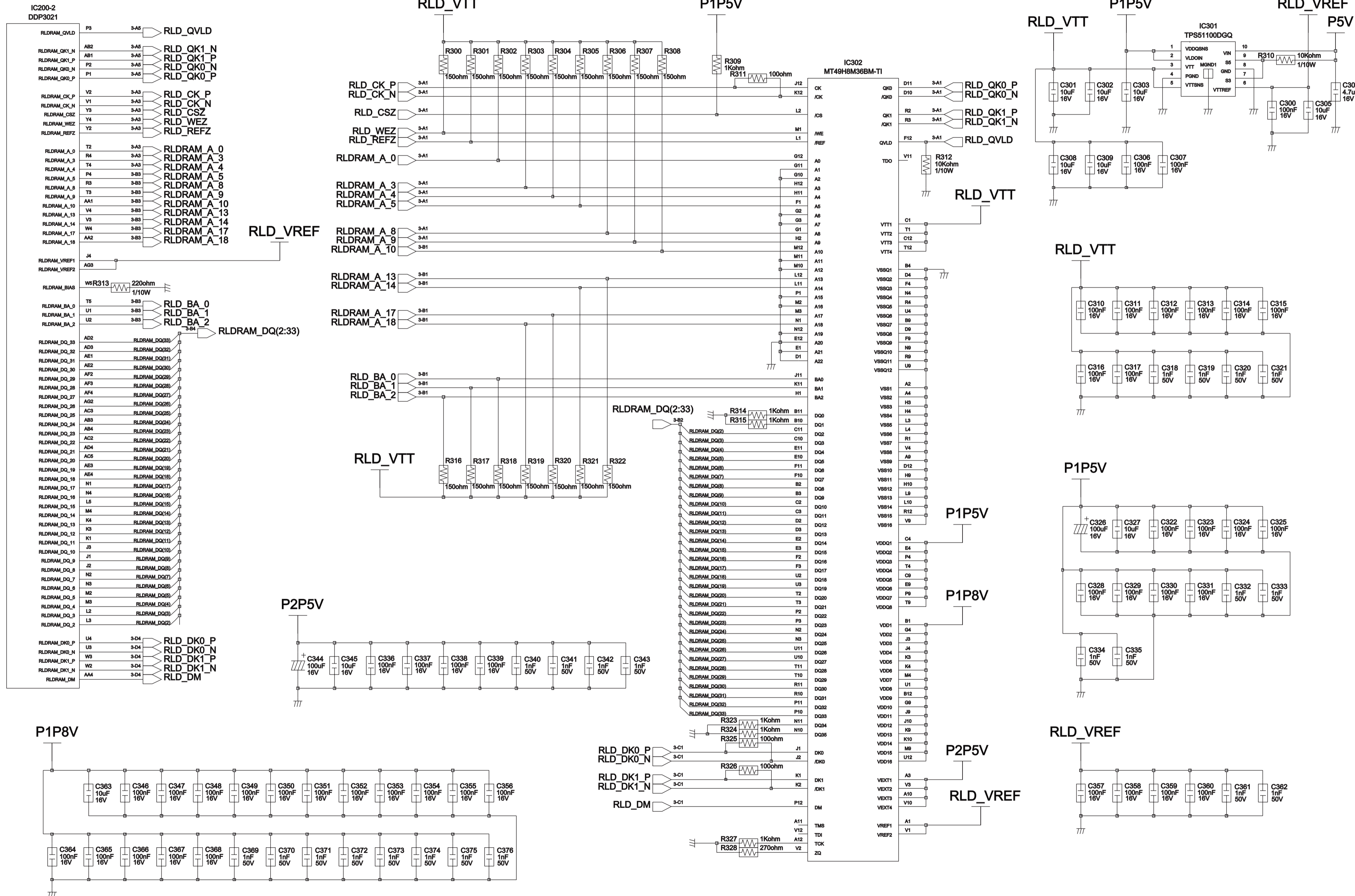
DDP3021 I/O



10-3-3 DMD-3

This Document can not be used without Samsung's authorization.

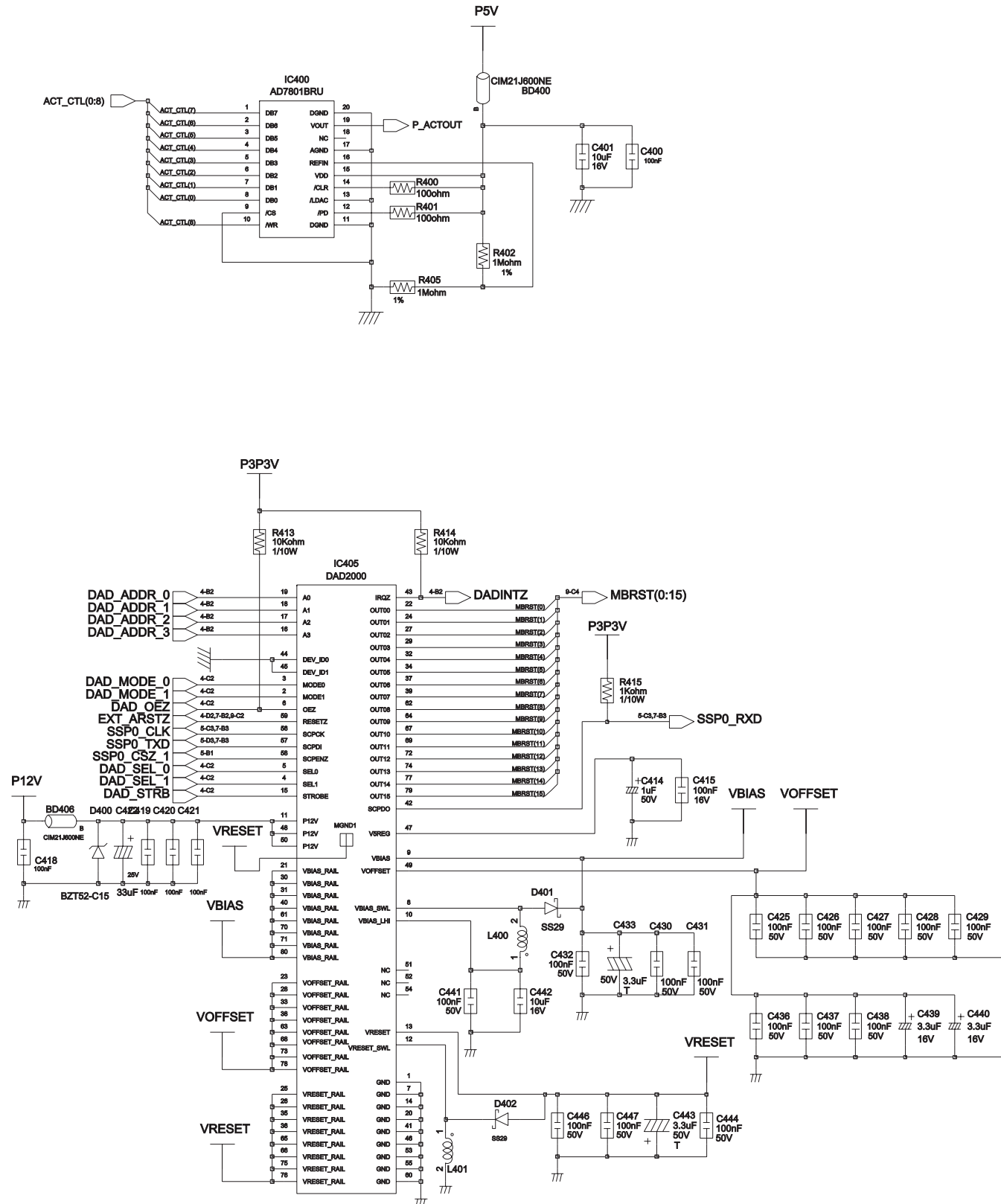
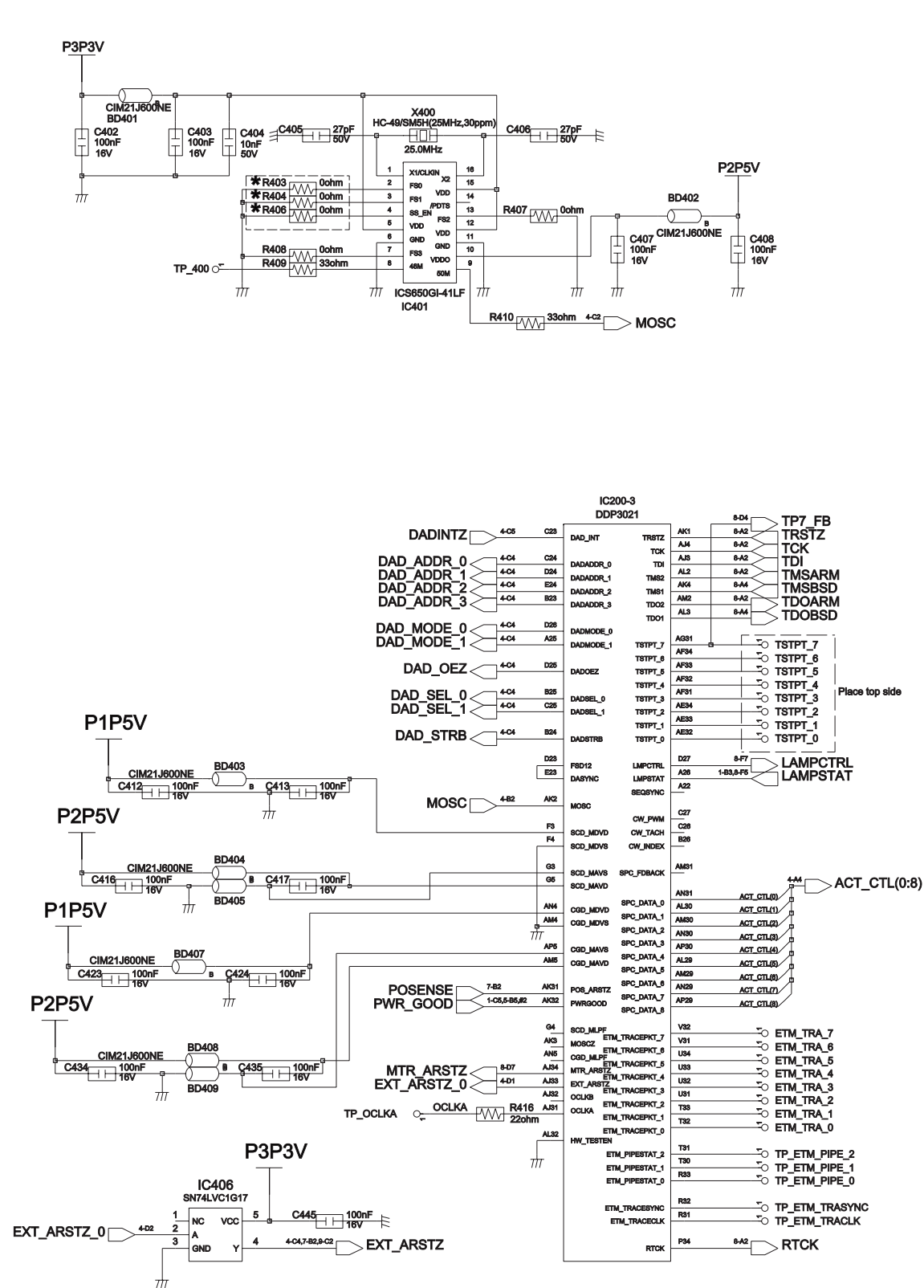
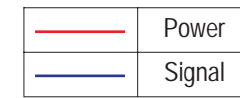
RLDRAM



10-3-4 DMD-4

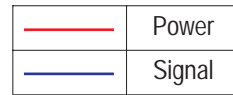
This Document can not be used without Samsung's authorization.

DAD2000

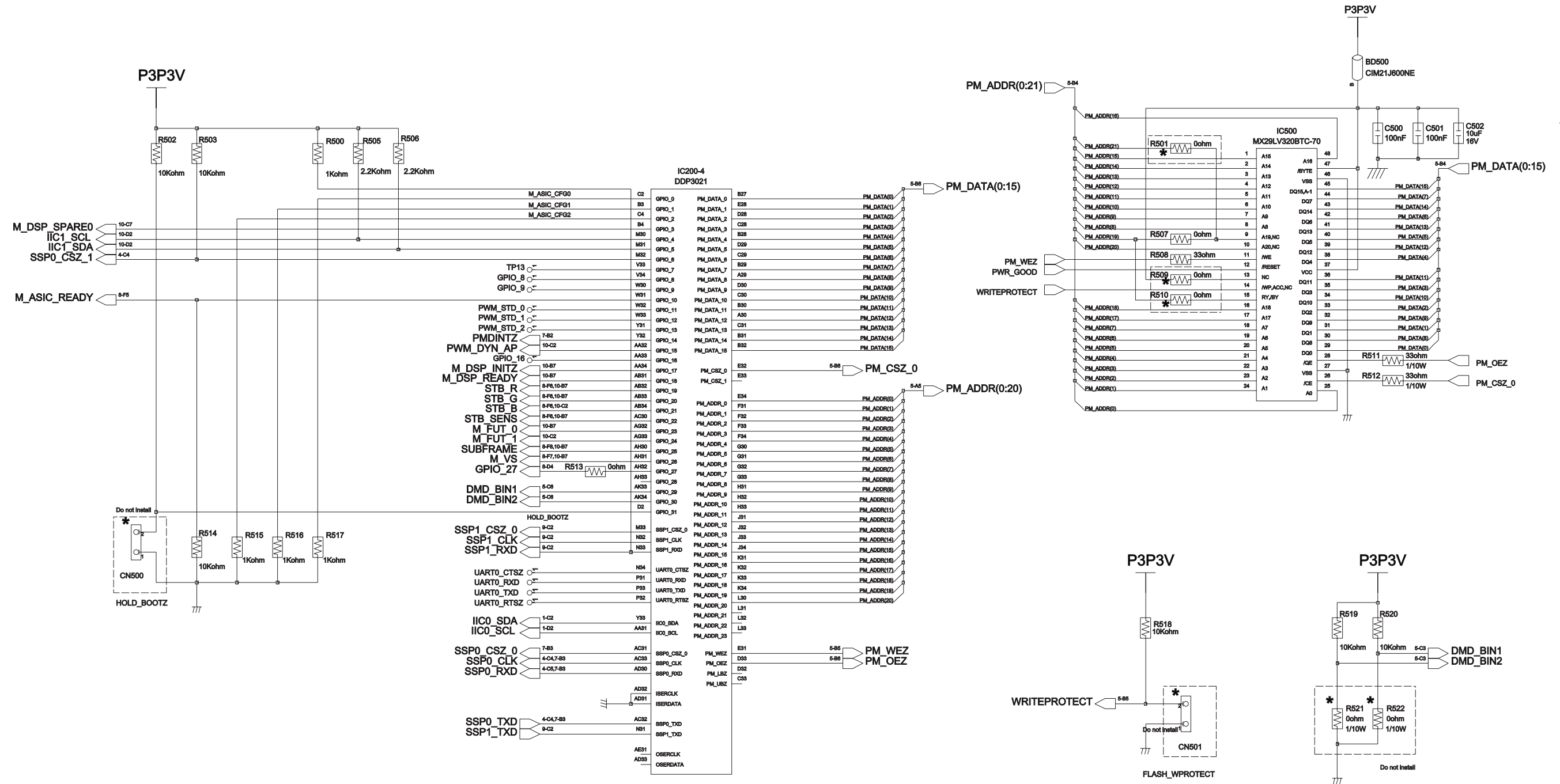


10-3-5 DMD-5

This Document can not be used without Samsung's authorization.





FLASH/GPIO

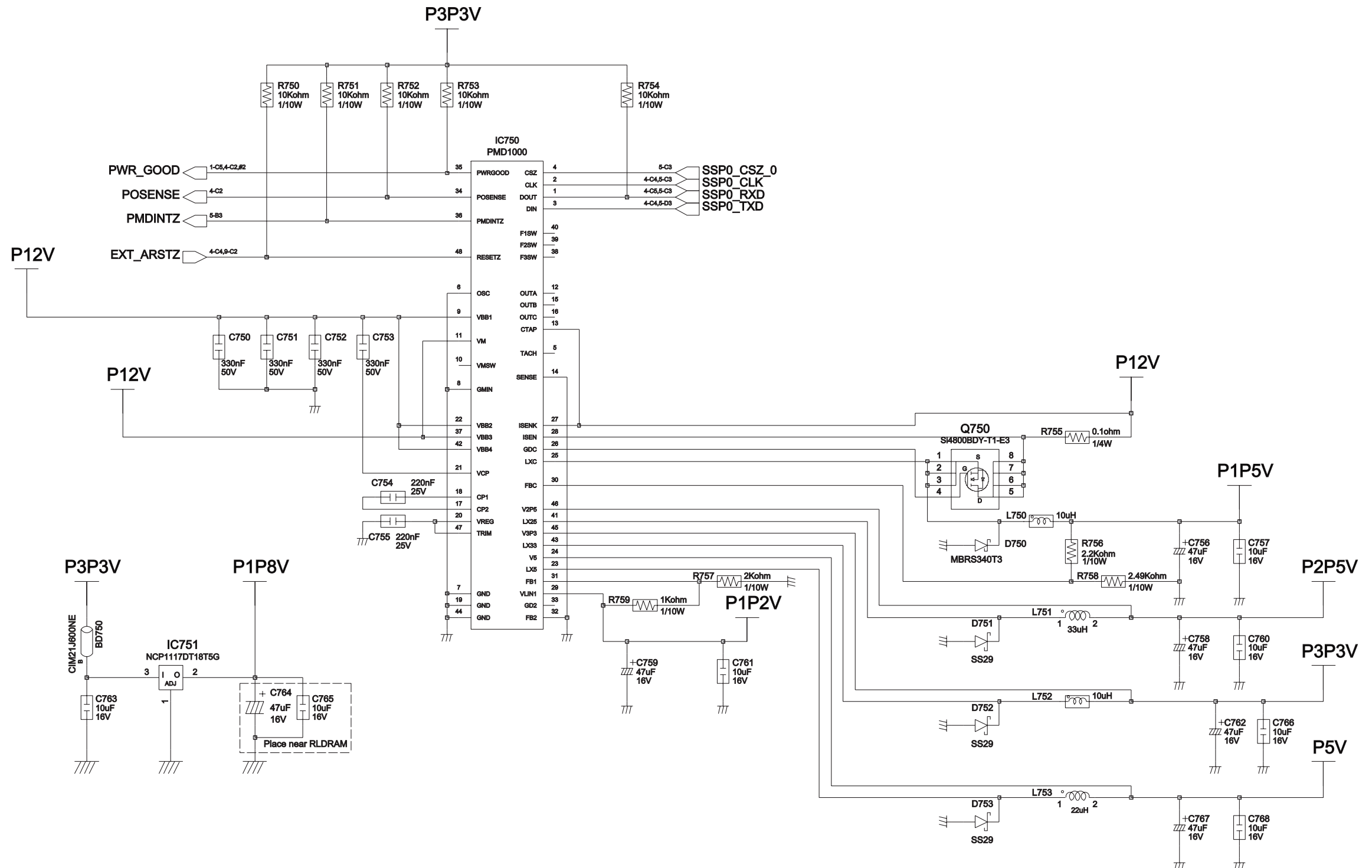


10-3-6 DMD-6

This Document can not be used without Samsung's authorization.

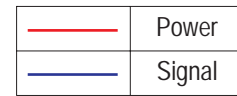
PMD1000

	Power
	Signal

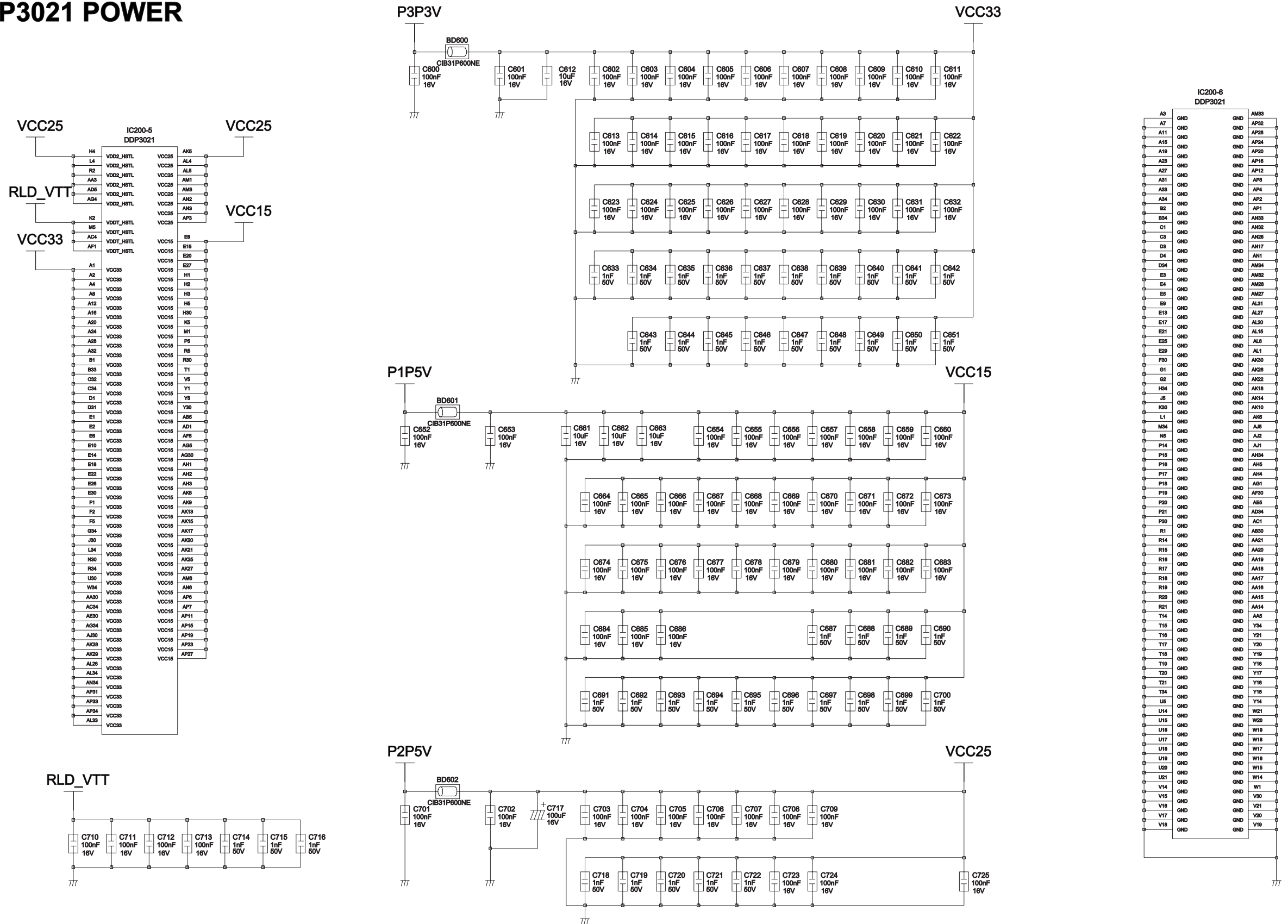


10-3-7 DMD-7

This Document can not be used without Samsung's authorization.

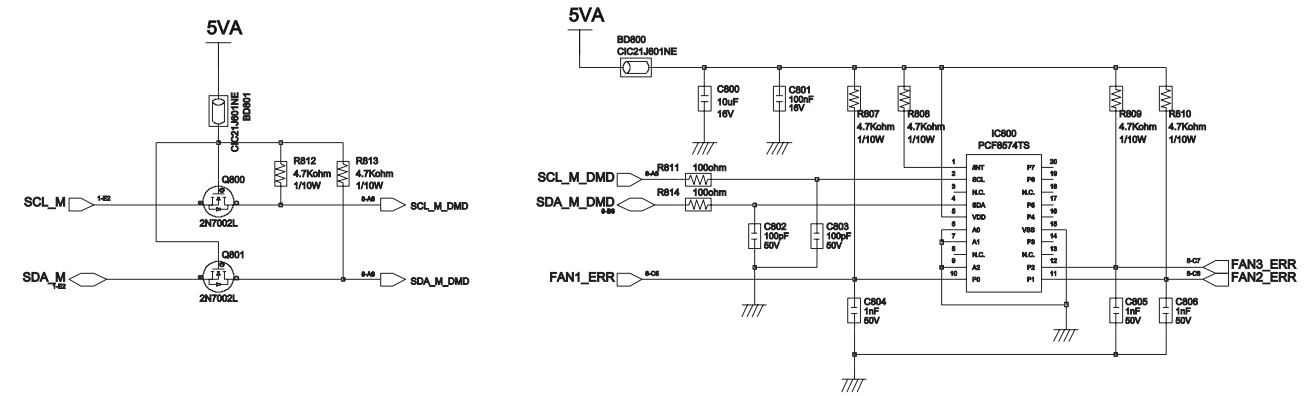
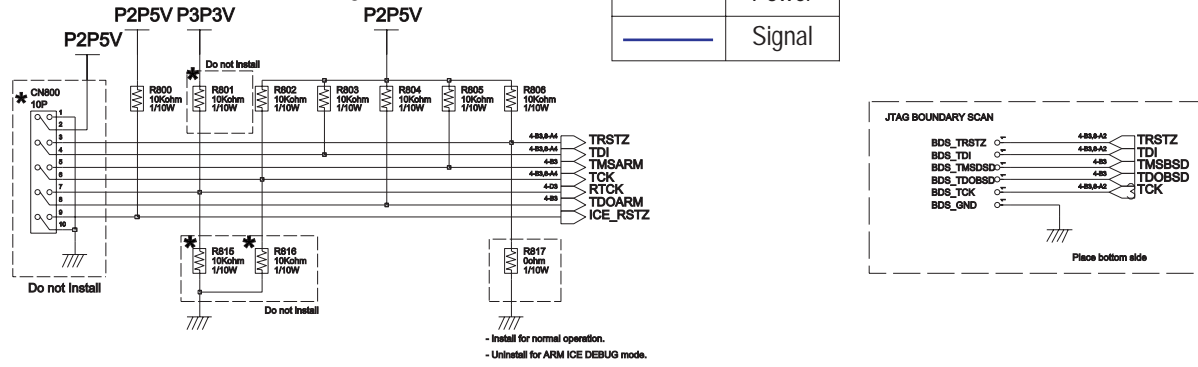
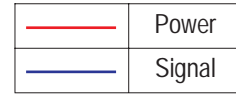


DDP3021 POWER

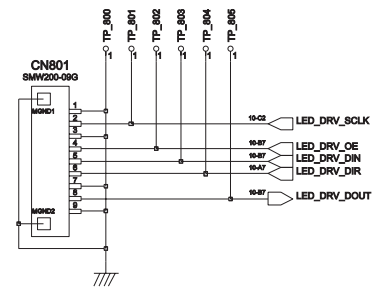


10-3-8 DMD-8

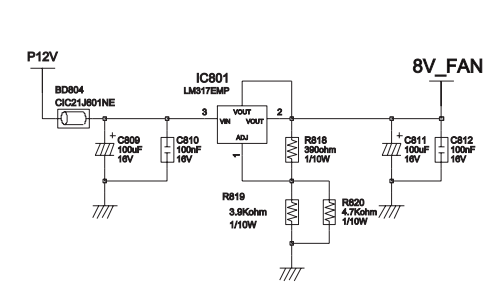
This Document can not be used without Samsung's authorization.



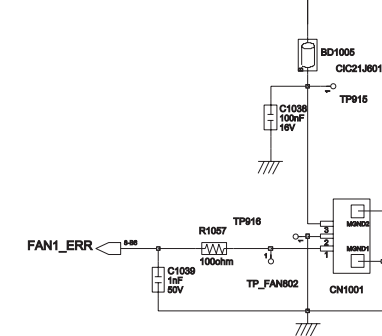
CONNECTOR FOR DRIVER CONTROL



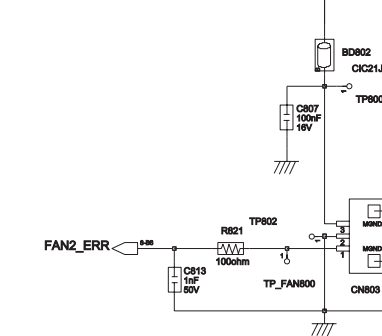
FAN



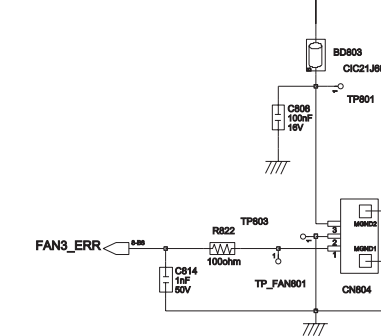
8V_FAN



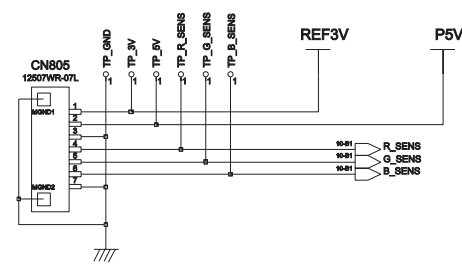
8V_FAN



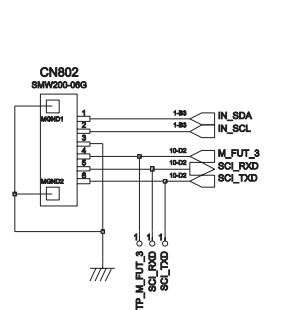
8V_FAN



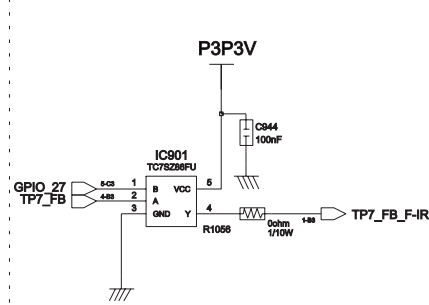
CONNECTOR FOR COLOR SENSOR



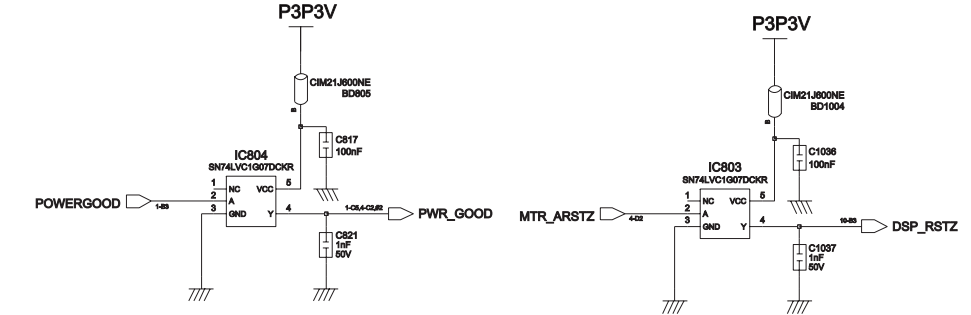
CONNECTOR FOR SCI



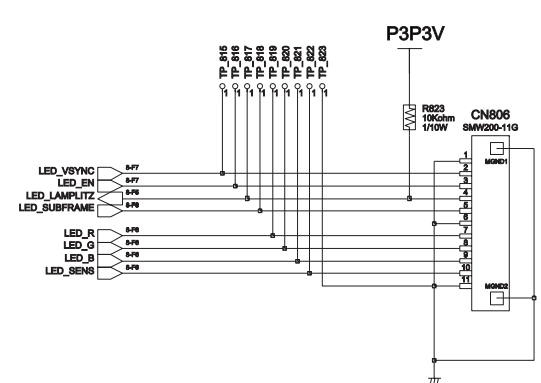
3D_Interface



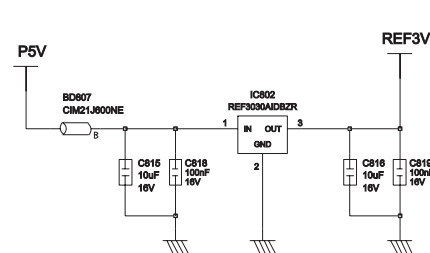
SINGLE BUFFER



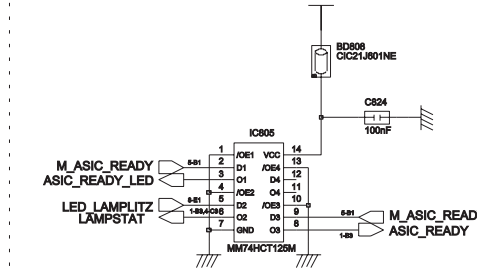
CONNECTOR FOR LED DRIVER



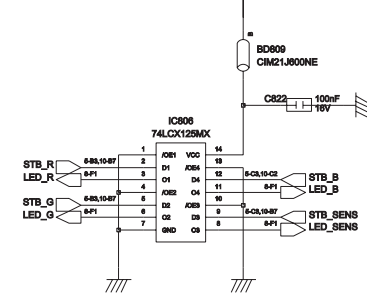
POWER FOR COLOR SENSOR



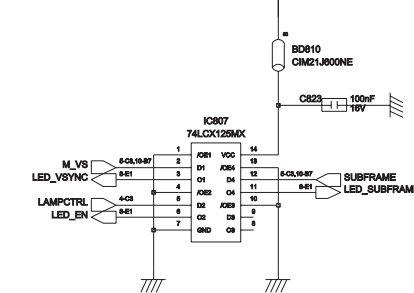
POWER FOR COLOR SENSOR



POWER FOR COLOR SENSOR



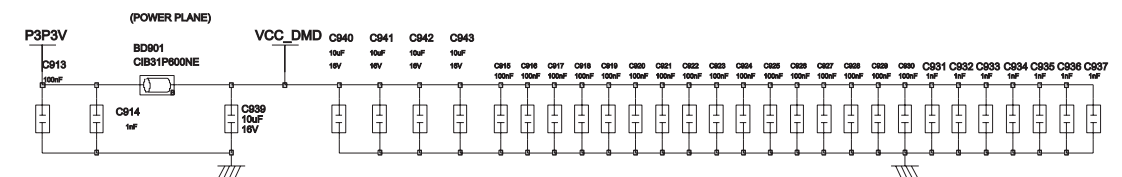
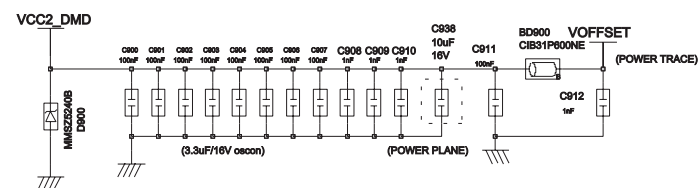
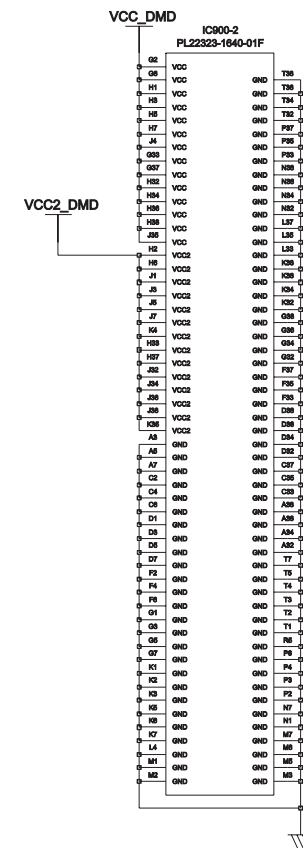
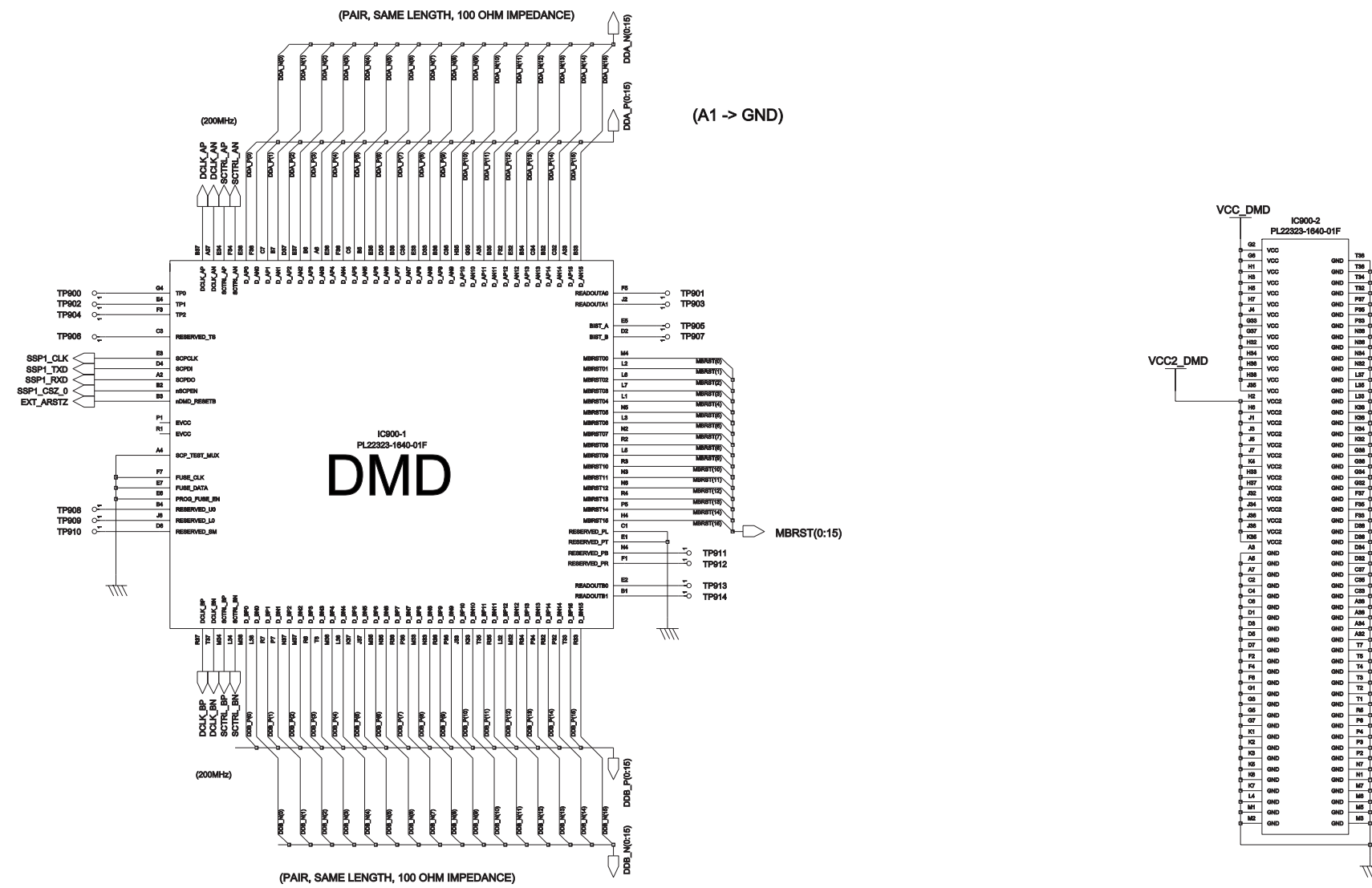
POWER FOR COLOR SENSOR



10-3-9 DMD-9

This Document can not be used without Samsung's authorization.

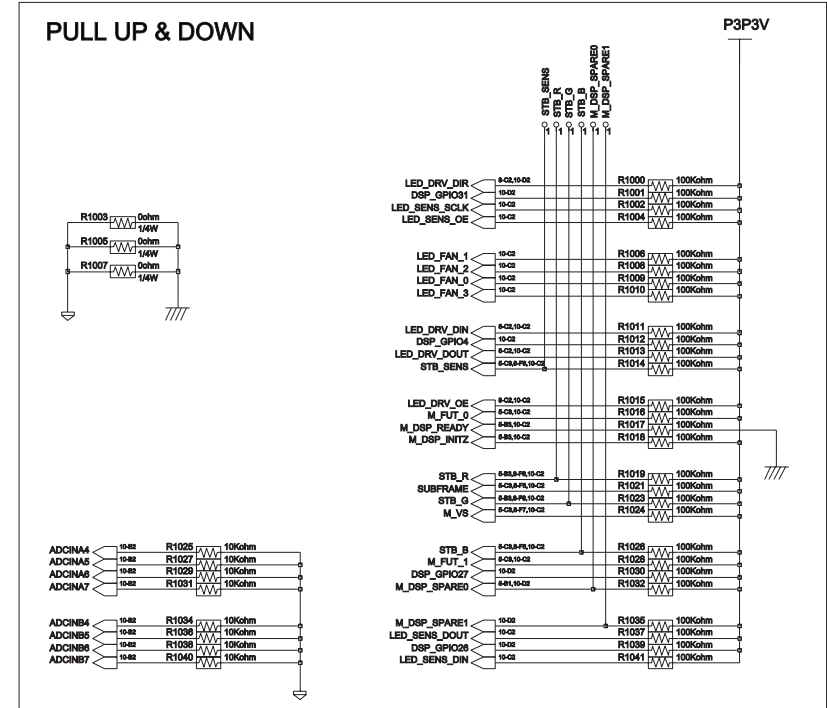
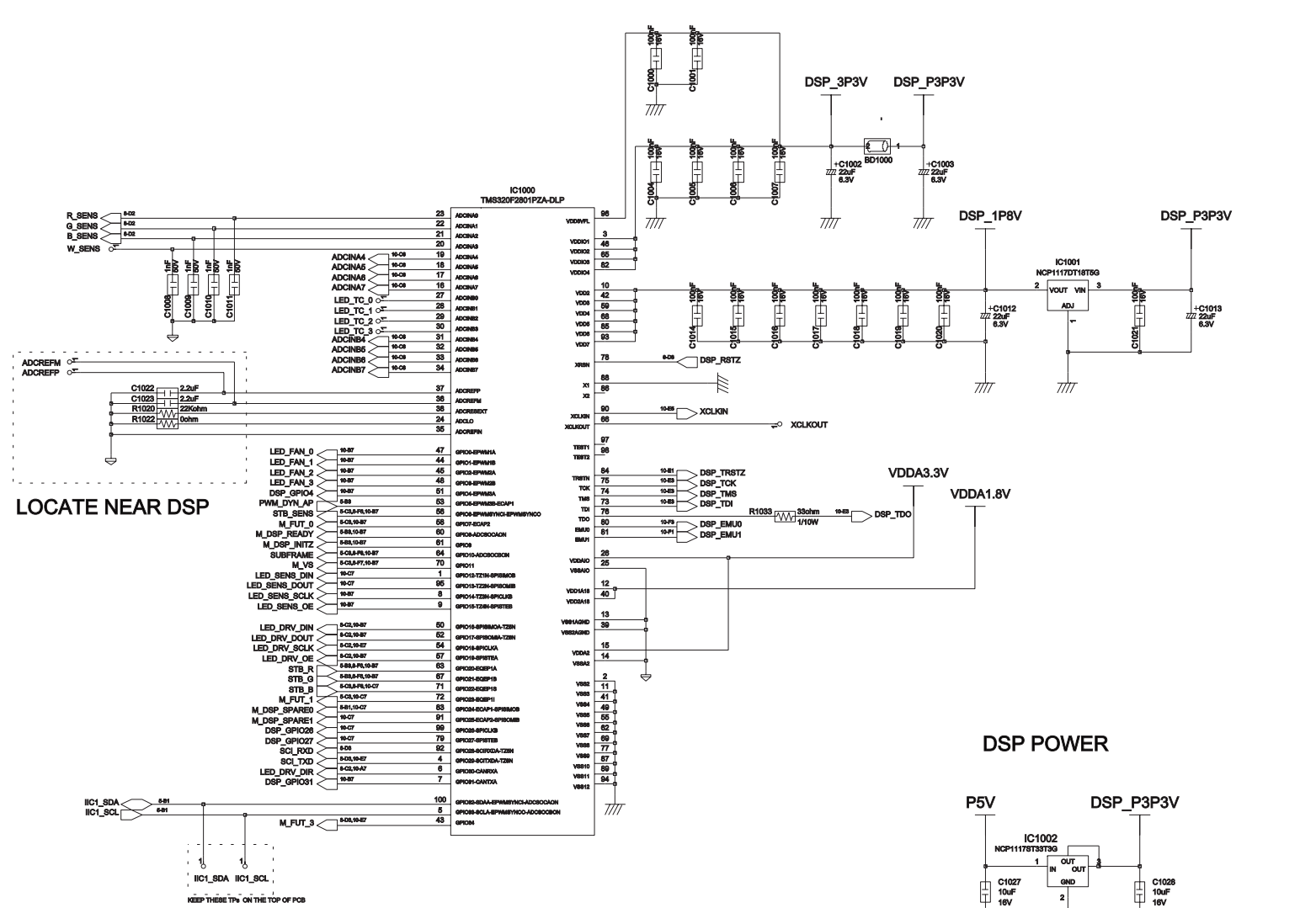
DMD



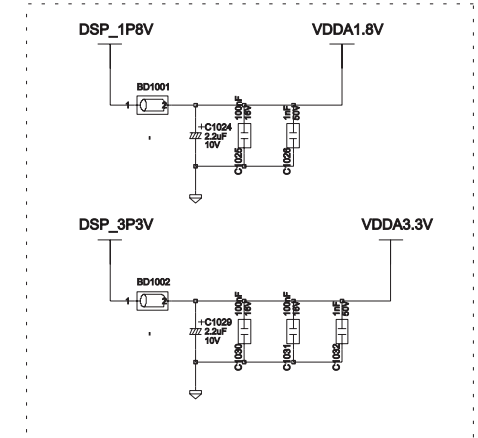
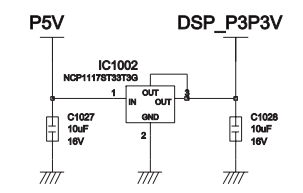
10-3-10 DMD-10

This Document can not be used without Samsung's authorization.

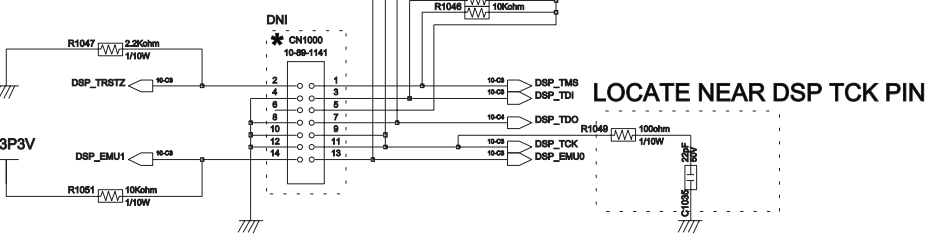
DSP



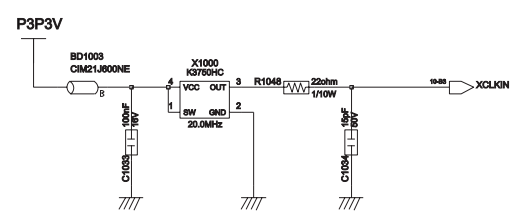
DSP POWER



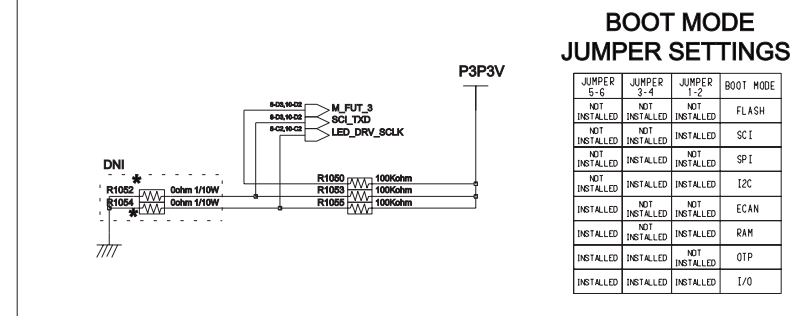
JTAG INTERFACE



OSC CLOCK FOR DSP



BOOT MODE JUMPER



BOOT MODE JUMPER SETTINGS

JUMPER 5-6	JUMPER 3-4	JUMPER 1-2	BOOT MODE
NOT INSTALLED	NOT INSTALLED	NOT INSTALLED	FLASH
NOT INSTALLED	NOT INSTALLED	NOT INSTALLED	SCI
NOT INSTALLED	NOT INSTALLED	NOT INSTALLED	SP1
NOT INSTALLED	NOT INSTALLED	NOT INSTALLED	I2C
NOT INSTALLED	NOT INSTALLED	NOT INSTALLED	ECAN
NOT INSTALLED	NOT INSTALLED	NOT INSTALLED	RAM
NOT INSTALLED	NOT INSTALLED	NOT INSTALLED	OTP
NOT INSTALLED	NOT INSTALLED	NOT INSTALLED	I/O

10-4 Power

This Document can not be used without Samsung's authorization.

